

Product Guide 2009

Manufacturers

of Quality

Architectural

Fiberglass

Products



**FIBERGLASS
SPECIALTIES
INCORPORATED**

www.fsiweb.com

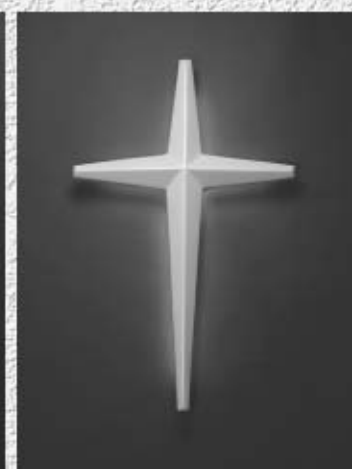
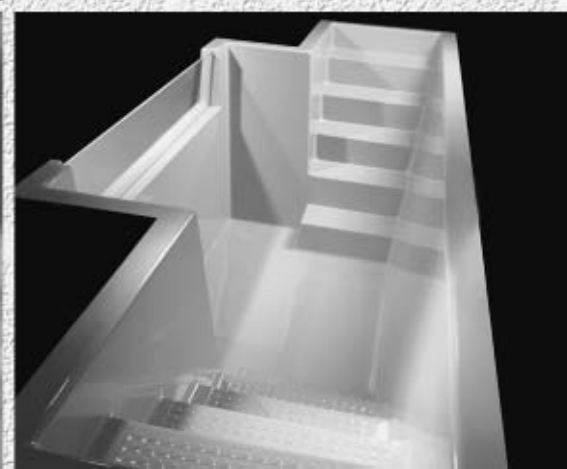


Table of Contents

Steeple	3-10
Steeple & Cupola Accessories	11
Cupola	12-14
Lighthouse	15
Domes	16
Finials	17
Steeple & Cupola Installation Guidelines	18-19
Baptistries	20-24
Baptistry Accessories	24-25
Baptistry Installation Guidelines	24
Baptistry Heaters	26-27
Optional Items	26
Wall & Roof Crosses	28

About the Company...

Founded in 1963, Fiberglass Specialties was one of the first manufacturers of fiberglass church baptistries, steeples, and wall crosses. Today we are the market leader, with the largest line of products in the industry. Our strong desire to improve our products and better serve our customers are the driving forces behind our constant innovation.

Fiberglass Specialties is a family owned business, now in its second generation. Owner and President Rocky Hall takes a hands-on approach not unlike that of his father, Howard Hall, who began the company over forty years ago.

We invite you to visit our 65,000 square foot manufacturing and office facility and see for yourself why Fiberglass Specialties is a name you can trust.

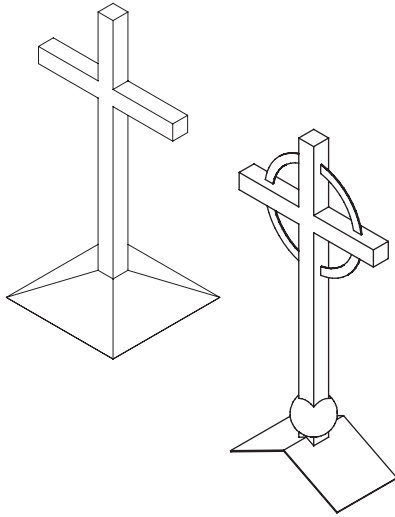
Free Design Service

Fiberglass Specialties is pleased to offer a free design service to help visualize the right architectural choice for your building. Just send us a photo along with the height and width of the building. Our design engineers will create a CAD (Computer Aided Design) drawing of your facility with your selections of steeples imposed on the building. The drawings are 8-1/2" x 11", but after you choose a style, we'll be happy to reproduce a large print, suitable for mounting. It's a great way to attract donations!

RULE OF THUMB—Architects generally select a steeple that is about the same height as the distance from the ground to the peak of the roof of the building.

NOTE: All measurements, weights, and drawings shown in the catalog are rounded off and approximate.

Roof Mounted Crosses



Roof mounted crosses are an easy way to accessorize your church. They can be mounted on the main church building or an adjacent facility such as Sunday School or Conference Center. These roof mounted crosses are manufactured from high quality structural aluminum with a steel base plate. The aluminum is then coated with a polymer resin similar in chemical composition to fiberglass gel coat. They are lightweight and easy to install. Standard colors listed below, but custom colors are available at an additional charge.

Model	Height	Width	Weight
RM36	36"	22"	65 lbs.
RM48	48"	30"	75 lbs.
RM60	60"	36"	85 lbs.
RM72	72"	41"	95 lbs.

Price does not include freight charges. Consult factory for freight adders.

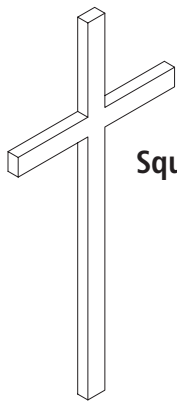
Options:

BL	Ball (sized to cross)
LP	Lightning Package
CD	Celtic Design
HP	Hip Roof Mount
CC	Custom Color (paint applied)

Shown with standard 4" x 4" square tube.
Other sizes also available.

Standard Colors: White, Bone, Metallic Copper, Metallic Gold, Metallic Silver, Bronze Metallic
Roof Mounted Crosses up to 24' Available - Consult Factory

Fiberglass Wall Crosses



Square Body Style

Model	Height	Width	Weight
SC-4	4'	30"	30 lbs.
SC-6	6'	41"	40 lbs.
SC-8	8'	47"	50 lbs.
SC-10	10'	60"	60 lbs.
SC-12	12'	69"	75 lbs.

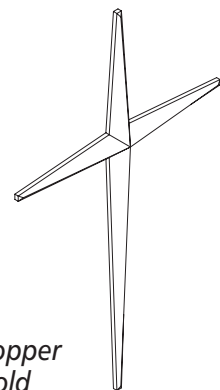
Backlighting Kits

Filament Cord Backlights: Encased in tubing with an impact strength of 220 lbs. per square inch, our Filament Cord Backlights illuminate a full 5.5 watts per foot. That's over 140 watts of pure light for an 8' cross. With an average rated life of 25,000 hours (8-1/2 years at 8 hours per day) these UL Listed backlights are easy to replace should they ever burn out.

These beautifully crafted crosses provide a focal point that will enhance virtually any place of worship. Designed for interior or exterior use, they are available with 2 optional backlighting systems, creating a soft, warm glow that silhouettes the cross against the wall behind it. Mounting brackets are included for easy installation using simple hand tools.

Tapered Body Style

Model	Height	Width	Weight
TC-4	4'	2'6"	30 lbs.
TC-6	6'	4'1"	40 lbs.
TC-8	8'	5'0"	50 lbs.
TC-10	10'	6'4"	60 lbs.
TC-12	12'	7'6"	75 lbs.
TC-18	18'	6'10"	125 lbs.



Available in six colors...

- White
- Bone
- Bronze Metallic
- Metallic Copper
- Metallic Gold
- Metallic Silver

Effective January, 2009. All contents subject to change without notice. Line drawings approximate the look and style of the products. All dimensions are nominal.