

CUPOLA UNIT #1102  
 SECTION DETAILS

Project:

Date: 11-16-05

Revisions 03-07-07 AJ

File # ALL-STL

DWG # CU1102C2

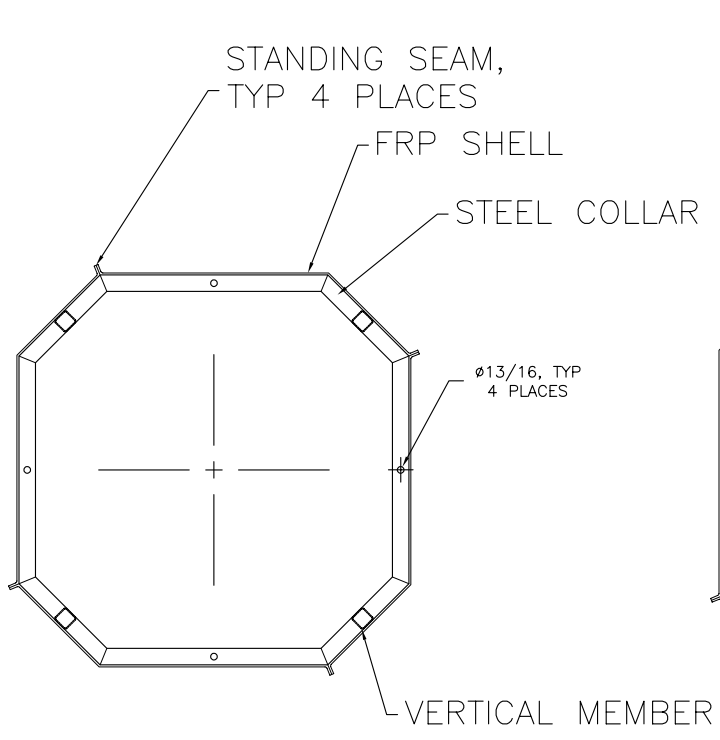
Drawing By: AGT

Checked By:

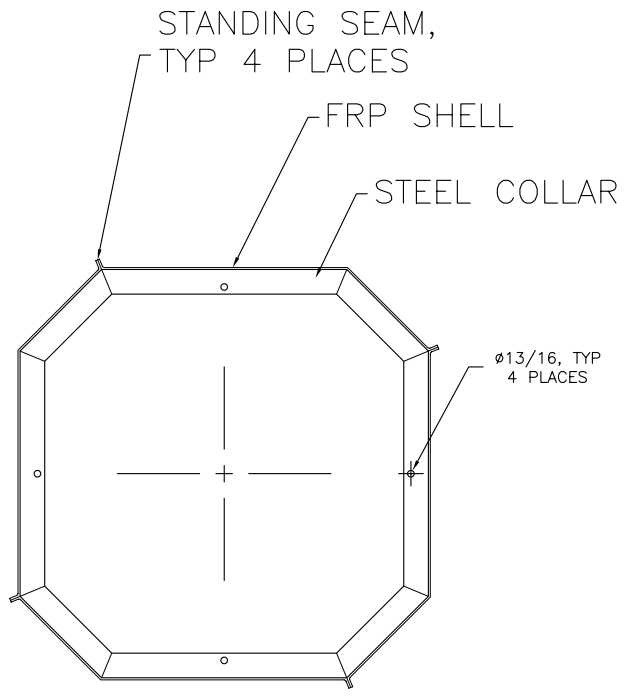
Scale: 1/2"=1"

Sheet #

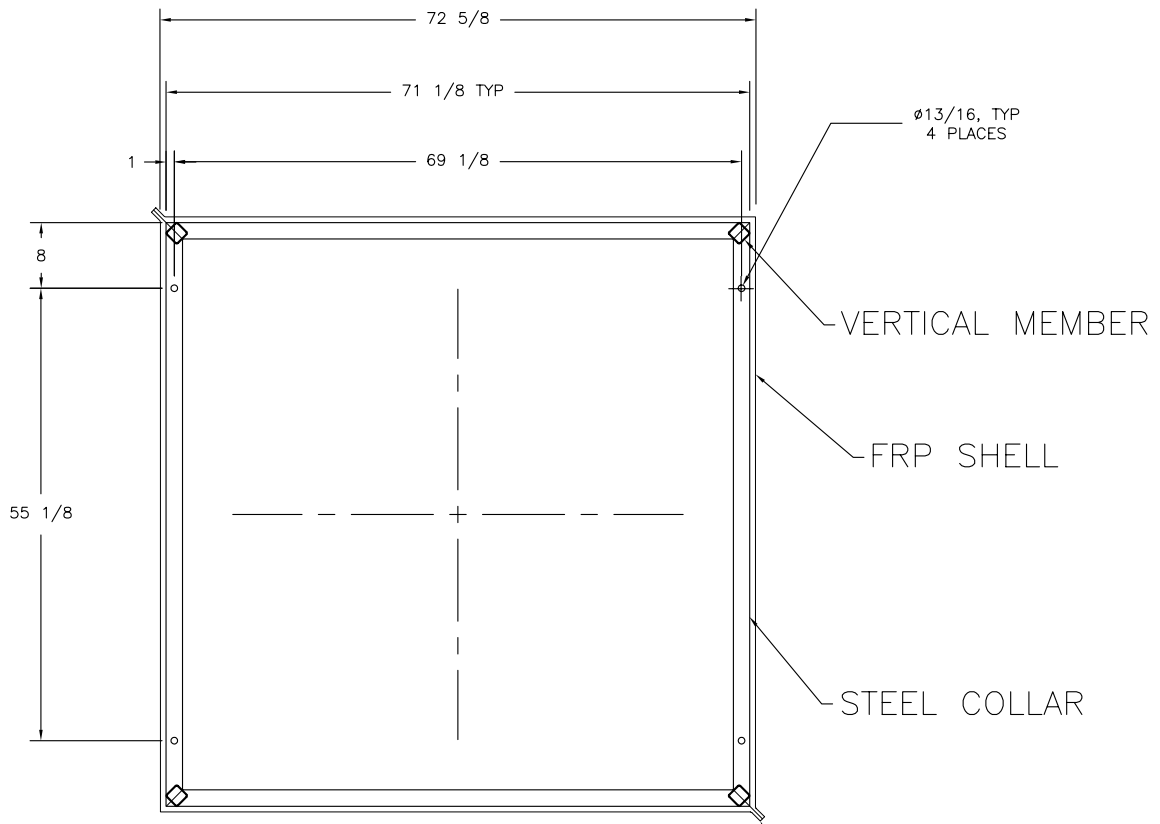
S2C  
 STRUCTURE



2 TOP OF CU-607  
 S2



3 BASE OF CU-605A  
 S2  
 PLAN VIEW



1 BASE OF CU-607  
 S2  
 PLAN VIEW