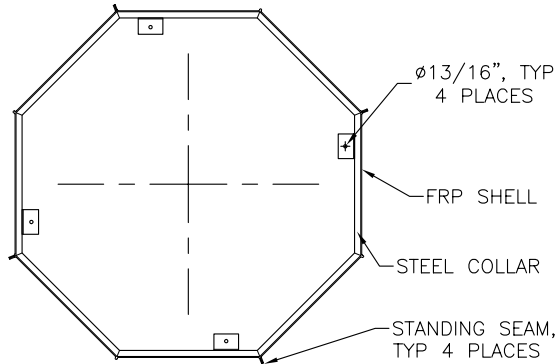
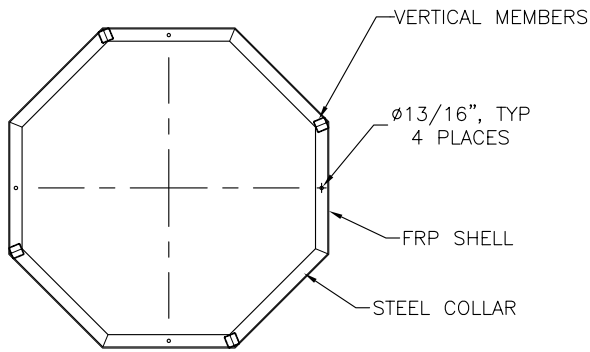


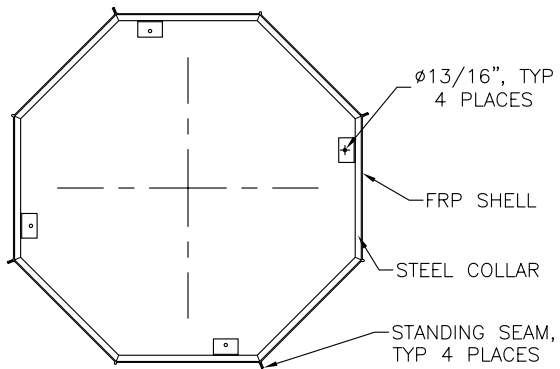
3 BASE OF CU-1050  
 S2 PLAN VIEW



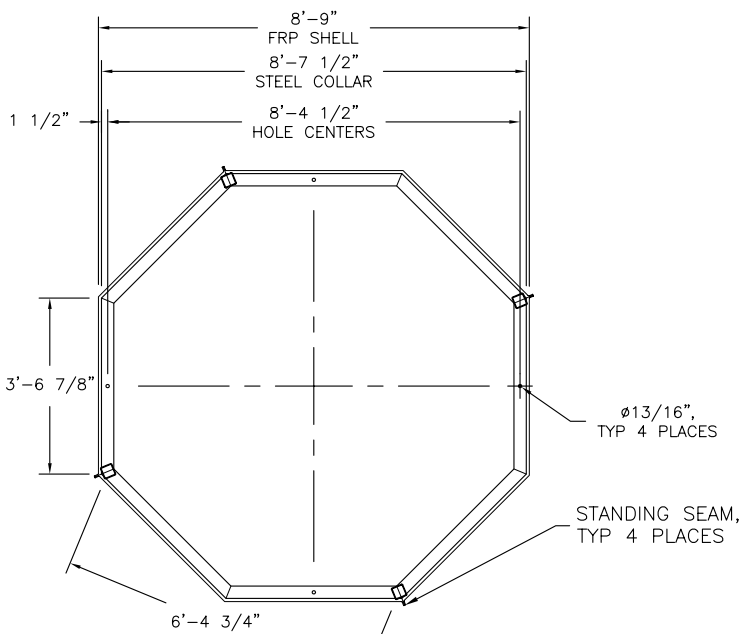
5 BASE OF DM-1050  
 S2 PLAN VIEW DOME



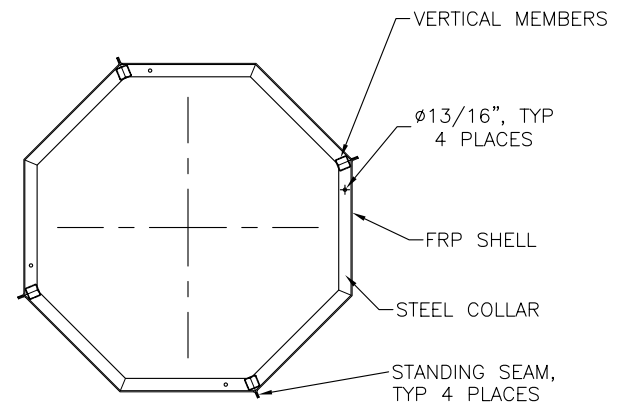
2 TOP OF CU-1075  
 S2



5 BASE OF DM-1050H  
 S2 PLAN VIEW HAT

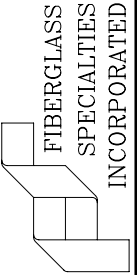


1 BASE OF CU-1075  
 S2 PLAN VIEW



4 TOP OF CU-1050  
 S2

P.O. BOX 1340  
 HENDERSON, TX 75653-1340  
 903/657-6522  
 FAX# 903/657-2318



Project: CUPOLA UNIT #1108  
 SECTION DETAILS

Date: 02-27-01

Revisions 03-08-07 AJ

Drawing By: JC

Checked By: ALL-STL

File # CU1108C2

Scale: 1/4" = 1'

Sheet #

S2C  
 STRUCTURE