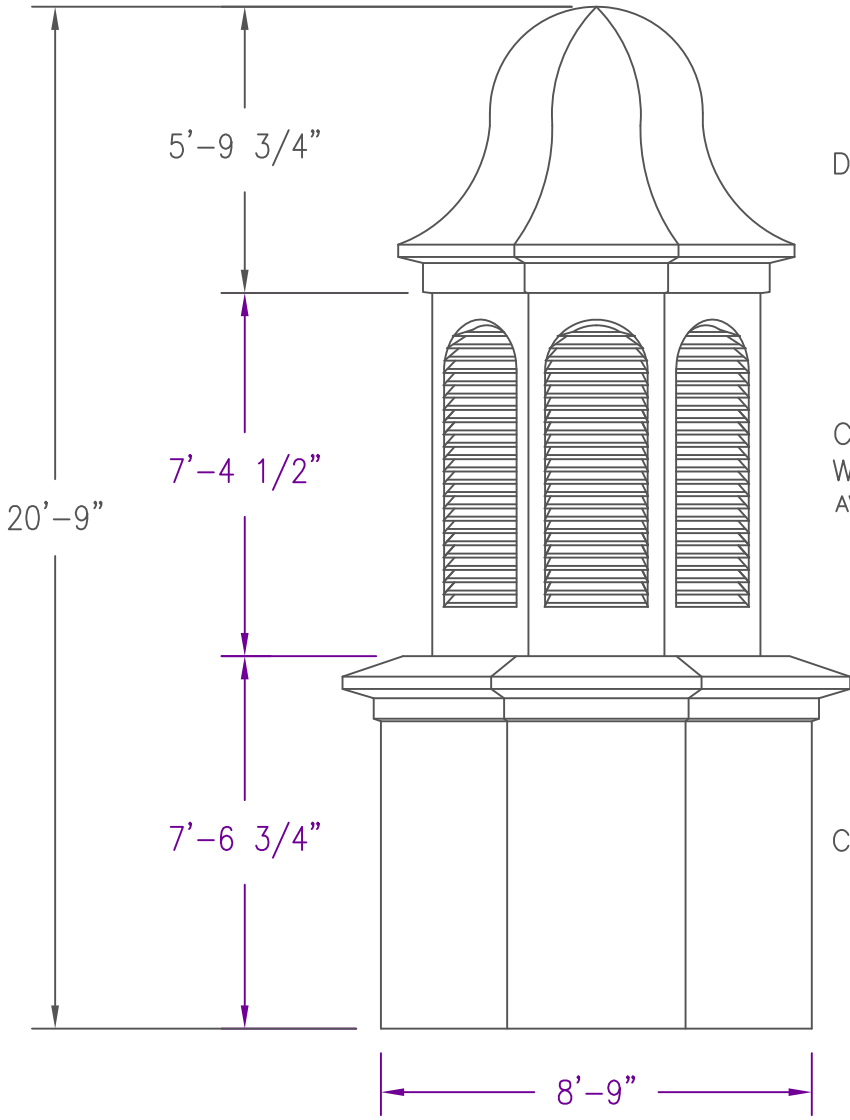
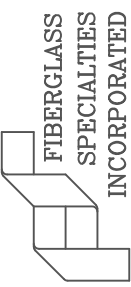


DESIGN PARAMETERS

The unit described in these drawings is engineered to adequately support the loads created by a wind velocity of 120 MPH at a height of 50' above ground using ASCE 7-2000 exposure category "C". An additional 2' in height was added to the base during these calculations to account for variations in roof pitch, etc.

P.O. BOX 1340
 HENDERSON, TX 75653-1340
 903/657-6522
 FAX# 903/657-2318



DOME UNIT #1050

CUPOLA UNIT #1050 WITH VENTED LOUVERS (ALSO AVAILABLE WITH KRINKLGLAS WINDOWS)

CUPOLA UNIT #1075

1
E1 ELEVATION

Project: CUPOLA UNIT #1108

Date: 08-08-01

Revisions 06-30-03 RLB

Scale: 1/4" = 1'

Drawing By: JC

Checked By: ALL-STL

File # ALL-STL

DWG # CU1108F

Sheet#

E1F

ELEVATION

THESE DRAWINGS ARE THE PROPERTY OF FIBERGLASS SPECIALTIES INC. DIMENSIONS AND DETAILS ARE SUBJECT TO CHANGE WITHOUT NOTICE. ALL CUPOLA AND STEEPLE UNITS ARE FABRICATED USING MINIMAL STANDING SEAMS UNLESS OTHERWISE NOTED. ALL CUPOLA AND STEEPLE UNITS ARE DESIGNED TO BE ERECTED ON A COMPLETED ROOFING SYSTEM AND ARE NOT GUARANTEED TO BE LEAK PROOF.