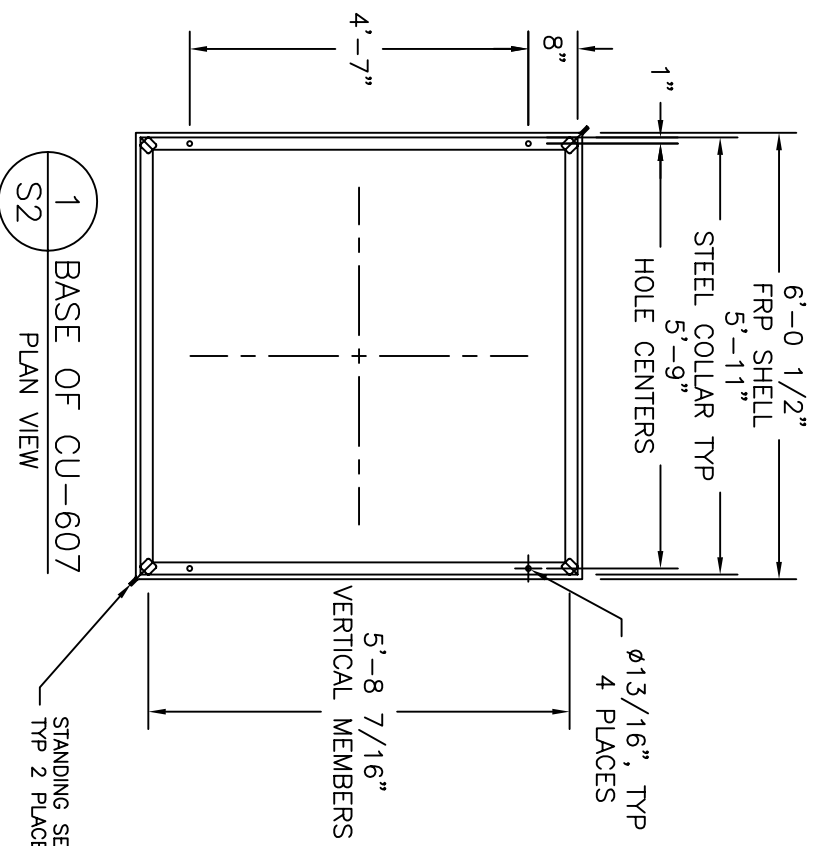
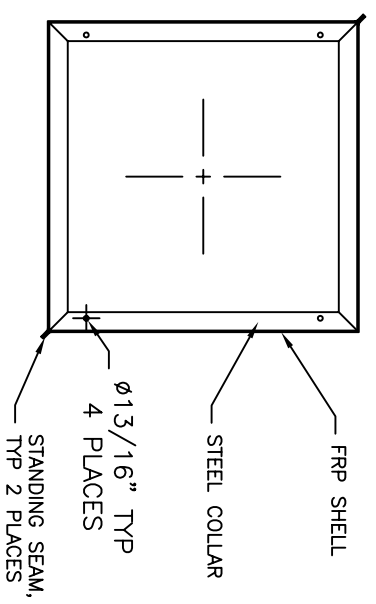


2 TOP OF CU-607
S2



1 BASE OF CU-607
S2
PLAN VIEW



3 BASE OF CU-405
S2
PLAN VIEW

STRUCTURE	S2C	Drawing By: RLB	Date: 04-09-03	Project: CUPOLA UNIT #1127 SECTION DETAILS		P.O. BOX 1340 HENDERSON, TX 75653-1340 903/657-6522 FAX# 903/657-2318
	CU-607					
DWG #	ALL-STL					
DWG #	CU1127C2		Scale: 3/8"=1'			