

Filament Wound Architectural Columns: Blending Tradition with Technology

These unique patented filament wound columns help preserve the past with authentic, perfectly detailed structure that is architecturally correct and guaranteed to last a lifetime.



STRENGTH AND QUALITY

Whether you need a one-story or two-story column our columns are specifically engineered for load-bearing applications up to 35,000 pounds. They can withstand normal construction abuse and are protected against weathering, decay, insects and other environmental influences. Strict quality control processes during manufacturing ensure that you receive a column to your exact specifications.

EASY INSTALLATION

Compared to wood or other composite materials, our filament wound columns are very lightweight without sacrificing strength or durability, making installation a cinch. No heavy equipment is necessary. Our columns are custom-fit and require no recessed soffits or ventilation. They can be finished directly with readily available primers and acrylic latex top coat paint.

SAVINGS TO YOU

Our low maintenance and easy installation mean savings are passed to you. Their high impact and UV resistance as well as their non-corrosive characteristics mean many years of beauty with little maintenance.

LARGE PRODUCT SELECTION

Our smooth, tapered filament wound columns are offered in diameters, up to 36 inches, and heights, up to 30 feet, to fit your particular needs. Custom sizes are also available. Fiberglass Tuscan capital, base and plinth sets come standard with your column. Roman Doric capital and Attic (Ionic) base styles are optional, together with our vast selection of decorative capitals.

COMPOSITE ROUND TAPERED COLUMN SPECIFICATIONS

- Patented filament wound technology
- Diameters up to 36 inches
- Heights up to 30 feet
- Load bearing with strength up to 35,000 lbs
- Balustrade systems easily attached
- Columns meet ASTM E-84, flame and smoke requirements

CAPITAL AND BASE OFFERINGS

- Tuscan capitals and bases standard
- Additional capitals and bases include:
 - ⇒ Roman Doric capital
 - ⇒ Attic (Ionic) base
- Decorative capital styles offered include:
 - ⇒ Scamozzi
 - ⇒ Roman Ionic
 - ⇒ Temple of the Winds
 - ⇒ Roman Corinthian
 - ⇒ Empire

COLUMN, CAPITAL AND BASE BENEFITS

- Architecturally correct
- Lightweight & easy to install
- Custom fit
- Lifetime warranty
- Low maintenance
- Durable—will not rot or decay
- Protected against weathering, decay, insects and other environmental influences
- No ventilation required
- High impact resistance against construction abuse
- Services include splitting for reassembly for column cover applications to surround an existing support

Filament Wound Shaft Weight

COLUMN DIA. (in.)	LENGTH (ft.)	WEIGHT (lbs)
8	8	15
8	10	19
10	8	17
10	10	21
10	12	26
12	8	18
12	10	22
12	12	26
12	14	55
12	16	65
12	18	75
14	8	37
14	10	45
14	12	55
14	14	65
14	16	75
16	8	52
16	10	65
16	12	77
16	14	90
16	16	100
16	18	110
16	20	130
18	10	72
18	12	90
18	14	100
18	16	115
18	18	130
18	20	145
20	10	90
20	12	105
20	14	122

COLUMN DIA. (in.)	LENGTH (ft.)	WEIGHT (lbs)
20	16	140
20	18	160
20	20	175
20	22	190
20	24	210
22	10	100
22	12	118
22	14	137
22	16	156
22	18	175
22	20	195
22	22	215
22	24	230
24	10	125
24	12	150
24	14	170
24	16	190
24	18	210
24	20	235
24	22	245
24	24	255
24	26	270
28	20	255
28	22	280
28	24	300
30	20	325
30	22	345
30	24	370
36	20	395
36	22	410
36	24	440
36	28	525
36	30	550

Column Specifications

Lengths (Feet)

Diameter	8'	10'	12'	14'	16'	18'	20'	22'	24'	26'	Pounds
8"	*	*									10000
10"	*	*	*								12000
12"	*	*	*	*	*	*					14000
14"	*	*	*	*	*	*	*				20000
16"	*	*	*	*	*	*	*	*			22000
18"		*	*	*	*	*	*	*	*	*	24000
20"		*	*	*	*	*	*	*	*	*	26000
22"		*	*	*	*	*	*	*	*	*	28000
24"		*	*	*	*	*	*	*	*	*	30000
28"							*	*	*		35000
30"							*	*	*		35000
36"							*	*	*		35000

Round Smooth Tapered Fiberglass Column with Tuscan Capital and Base

We are committed to preserving the past with authentic, perfectly detailed columns using the latest technology. Our columns are made from specially formulated glass-reinforced polymers and a manufacturing process that has been tested in applications ranging from sporting products to the Aerospace industry. The shafts are one piece construction with a separate capital and base. Our customer service and high quality products make us a leader in the architectural column industry. Look to us for all of your fiberglass architectural needs.

Column benefits:

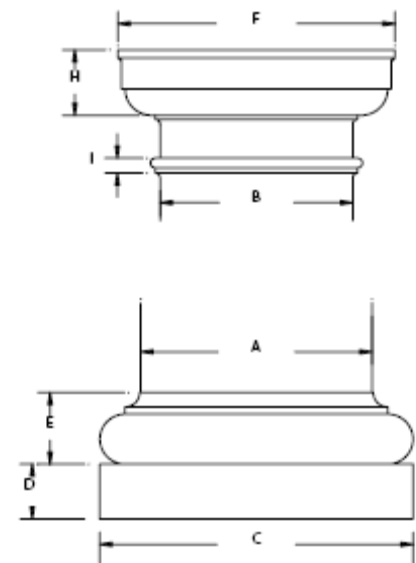
- Architecturally correct
- Lightweight & easy to install
- Custom fit
- Lifetime warranty
- Low maintenance
- Cap and base available in fiberglass or urethane material
- Durable—will not rot or decay
- Protected against weathering, decay, insects and other environmental influences
- No ventilation required
- High impact resistance against construction abuse
- Services include splitting for reassembly for column cover applications to surround an existing support and pilaster applications



COLUMN DIMENSIONS			
Size	A	B	Length
12"	12"	10"	Up to 18'
14"	14"	12"	Up to 18'
16"	16"	13 1/2"	Up to 20'
18"	18"	15"	Up to 20'
20"	20"	17"	Up to 24'
22"	22"	18 1/2"	Up to 24'
24"	24"	20"	Up to 26'
28"	28"	23 1/2"	Up to 24'
30"	30"	25"	Up to 24'
36"	36"	30"	Up to 30'

SPECIFICATIONS FOR TUSCAN CAPITAL, BASE & ASTRAGAL*						
Size	Base/Plinth			Capital		Astragal
	C	D	E	F	H	I
12"	16 1/8"	2 7/8"	3 3/8"	14 1/4"	3 3/8"	13/16"
14"	18 3/4"	3 3/8"	4"	17 1/8"	4"	7/8"
16"	21 1/2"	3 7/8"	4 1/2"	19 1/4"	4 5/8"	1"
18"	24 1/4"	4 1/4"	5 3/8"	21 1/2"	5 1/8"	1 3/16"
20"	27"	4 3/4"	6"	24 1/4"	5 5/8"	1 5/16"
22"	29 3/4"	5 1/4"	6 7/8"	26 1/2"	6 1/4"	1 3/8"
24"	32 1/2"	5 3/4"	7 1/2"	28 3/4"	6 7/8"	1 9/16"
28"	38"	6 3/4"	8 3/4"	33 3/8"	8"	1 13/16"
30"	40 1/2"	7 1/4"	9 1/4"	35 3/4"	8 5/8"	1 7/8"
36"	48 3/4"	8 3/4"	11 3/8"	42 3/4"	10 1/2"	2 5/16"

*Tuscan Capital and Base are standard. Other options available. Call for details.



FIBERGLASS
SPECIALTIES
INCORPORATED

"The World's Largest Producer
of Fiberglass Church Products"

Round Smooth Non-Tapered Fiberglass Column with Tuscan Capital and Base

We are committed to preserving the past with authentic, perfectly detailed columns using the latest technology. Our columns are made from specially formulated glass-reinforced polymers and a manufacturing process that has been tested in applications ranging from sporting products to the Aerospace industry. The shafts are one piece construction with a separate capital and base. Our customer service and high quality products make us a leader in the architectural column industry. Look to us for all of your fiberglass architectural needs.

Column benefits:

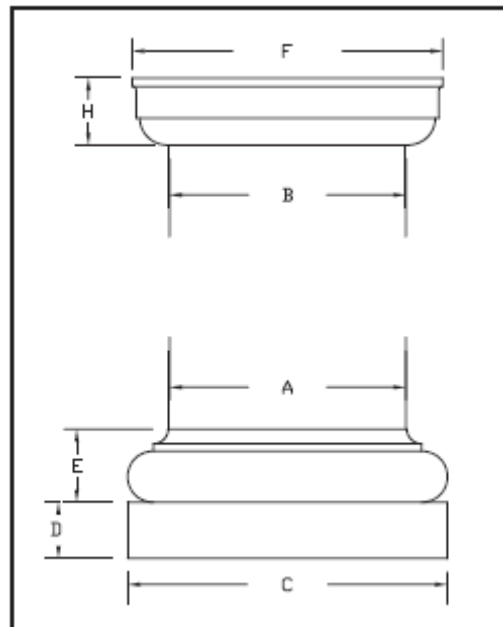
- Lightweight & easy to install
- Custom fit
- Lifetime warranty
- Low maintenance
- Cap and base available in fiberglass or urethane material
- Durable—will not rot or decay
- Protected against weathering, decay, insects and other environmental influences
- No ventilation required
- High impact resistance against construction abuse
- Services include splitting for reassembly for column cover applications to surround an existing support and pilaster applications

COLUMN DIMENSIONS			
Size	A	B	Length
8"	8 1/4"	8 1/4"	Up to 24'
10"	10 1/2"	10 1/2"	Up to 24'
12"	12 1/2"	12 1/2"	Up to 24'
14"	14"	14"	Up to 24'
16"	16"	16"	Up to 24'
18"	18"	18"	Up to 24'
20"	20"	20"	Up to 24'
22"	22"	22"	Up to 24'
24"	24 1/4"	24 1/4"	Up to 24'
30"	30"	30"	Up to 24'
36"	36"	36"	Up to 24'



SPECIFICATIONS FOR TUSCAN CAPITAL & BASE*					
Size	Base/Plinth			Capital	
	C	D	E	F	H
8"	10 1/4"	1 7/8"	2 3/8"	10 1/4"	2 1/2"
10"	12 3/4"	2 3/8"	2 7/8"	12 3/4"	3 1/8"
12"	14 1/4"	2 7/8"	3 3/8"	15 1/4"	3 1/4"
14"	18 3/4"	3 3/8"	4"	19 1/4"	4 5/8"
16"	21 1/2"	3 7/8"	4 1/2"	21 1/2"	5 1/8"
18"	24 1/4"	4 1/4"	5 3/8"	24 1/4"	5 5/8"
20"	27"	4 3/4"	6"	26 1/2"	6 1/4"
22"	29 3/4"	5 1/4"	6 7/8"	28 3/4"	6 7/8"
24"	32 1/2"	5 3/4"	7 1/2"	31 1/2"	7 3/8"
30"	40 1/2"	7 1/4"	9 1/4"	40"	9 1/4"
36"	48 3/4"	8 3/4"	11 3/8"	Use base	Use base

*Tuscan Capital and Base are standard. Other options available. Call for details.



Round Fluted Tapered Fiberglass Column with Tuscan Capital and Base

We are committed to preserving the past with authentic, perfectly detailed columns using the latest technology. Our columns are made from specially formulated glass-reinforced polymers and a manufacturing process that has been tested in applications ranging from sporting products to the Aerospace industry. The shafts are one piece construction with a separate capital and base. Our customer service and high quality products make us a leader in the architectural column industry. Look to us for all of your fiberglass architectural needs.

Column benefits:

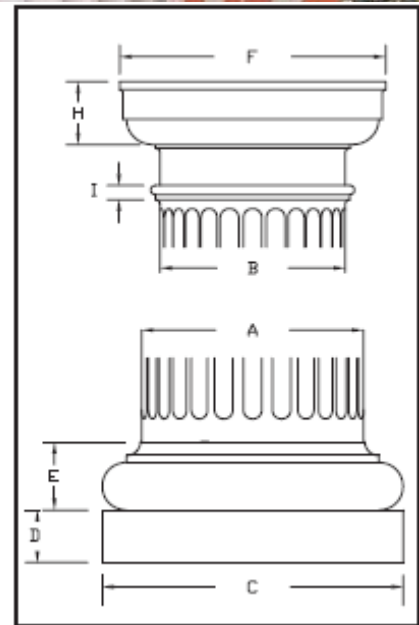
- Architecturally correct flutes
- Lightweight & easy to install
- Custom fit
- Lifetime warranty
- Low maintenance
- Cap and base available in fiberglass or urethane material
- Durable—will not rot or decay
- Protected against weathering, decay, insects and other environmental influences
- No ventilation required
- High impact resistance against construction abuse
- Services include splitting for reassembly for column cover applications to surround an existing support and pilaster applications

COLUMN DIMENSIONS			
Size	A	B	Length
8"	8"	6"	Up to 12'
10"	10"	8"	Up to 12'
12"	12"	10 1/2"	Up to 18'
14"	14"	12'	Up to 18'
16"	16"	13 1/2"	Up to 20'
18"	18"	15"	Up to 24'
20"	20"	20"	Up to 24'
22"	22"	18 1/2"	Up to 24'
24"	24"	20"	Up to 26'
30"	30"	25"	Up to 28'
36"	36"	30"	Up to 30'



SPECIFICATIONS FOR TUSCAN CAPITAL, BASE & ASTRAGAL*						
Size	Base/Plinth			Capital		Astragal
	C	D	E	F	H	I
8"	10 1/4"	1 7/8"	2 3/8"	10 1/4"	2 3/8"	3/8"
10"	12 3/4"	2 3/8"	2 7/8"	12 3/4"	3"	5/8"
12"	15 1/4"	2 7/8"	3 3/8"	15 1/4"	3 3/8"	13/16"
14"	18 3/4"	3 3/8"	4"	17 1/8"	4"	7/8"
16"	21 1/2"	3 7/8"	4 1/2"	19 1/4"	4 5/8"	1"
18"	24 1/4"	4 1/4"	5 3/8"	21 1/2"	5 1/8"	1 3/16"
20"	27"	4 3/4"	6"	24 1/4"	5 5/8"	1 5/16"
22"	29 3/4"	5 1/4"	6 7/8"	26 1/2"	6 1/4"	1 3/8"
24"	32 1/2"	5 3/4"	7 1/2"	28 3/4"	6 7/8"	1 9/16"
30"	40 1/2"	7 1/4"	9 1/4"	35 3/4"	8 5/8"	1 7/8"
36"	48 3/4"	8 3/4"	11 3/8"	42 3/4"	10 1/2"	2 5/16"

*Tuscan Capital and Base are standard. Other options available. Call for details.



FIBERGLASS SPECIALTIES INCORPORATED
 "The World's Largest Producer of Fiberglass Church Products"

Square Smooth Fiberglass Column with Tuscan Capital and Base

We are committed to preserving the past with authentic, perfectly detailed columns using the latest technology. Our columns are made from specially formulated glass-reinforced polymers and a manufacturing process that has been tested in applications ranging from sporting products to the Aerospace industry. The shafts are one piece construction with a separate capital and base. Our customer service and high quality products make us a leader in the architectural column industry. Look to us for all of your fiberglass architectural needs.

Column benefits:

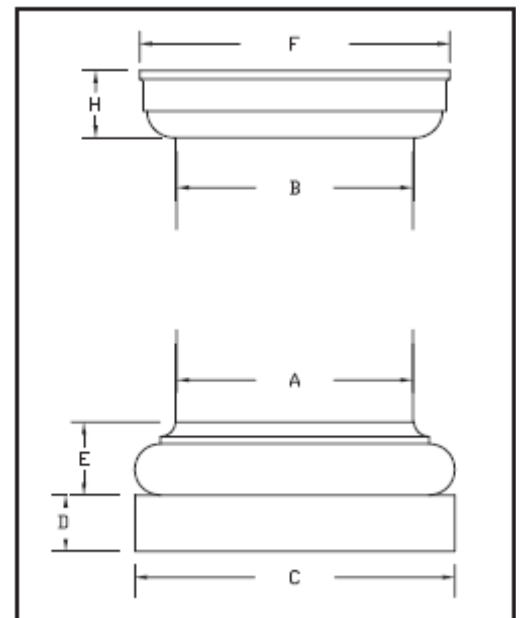
- Architecturally correct flutes
- Lightweight & easy to install
- Custom fit
- Lifetime warranty
- Low maintenance
- Load bearing capacity of 10,000
- Durable—will not rot or decay
- Protected against weathering, decay, insects and other environmental influences
- No ventilation required
- High impact resistance against construction abuse
- Services include splitting for reassembly for column cover applications to surround an existing support and pilaster applications

COLUMN DIMENSIONS			
Size	A	B	Length
8"	7.5"	7.5"	Up to 24'
10"	9.5"	9.5"	Up to 24'
12"	11.5"	11.5"	Up to 24'
14"	14"	14"	Up to 24'
16"	16"	16"	Up to 24'
18"	18"	18"	Up to 24'
20"	20"	20"	Up to 24'
22"	22"	22"	Up to 24'
24"	24"	24"	Up to 24'



SPECIFICATIONS FOR TUSCAN CAPITAL AND BASE*					
Size	Base/Plinth			Capital	
	C	D	E	F	H
8"	10 1/4"	1 7/8"	2 3/8"	10 1/4"	2 1/2"
10"	12 3/4"	2 3/8"	2 7/8"	12 3/4"	3 1/8"
12"	15 1/4"	2 7/8"	3 3/8"	15 1/4"	3 1/4"
14"	18 3/4"	3 3/8"	4"	18 3/4"	4"
16"	21 1/2"	3 7/8"	4 1/2"	21 1/2"	4 5/8"
18"	24 1/4"	4 1/4"	5 3/8"	24 1/4"	5 1/8"
20"	27"	4 3/4"	6"	27"	5 5/8"
22"	29 3/4"	5 1/4"	6 7/8"	29 3/4"	6 1/4"
24"	32 1/2"	5 3/4"	7 1/2"	31 1/2"	6 7/8"

*Tuscan Capital and Base are standard. Other options available. Call for details.



**FIBERGLASS
SPECIALTIES
INCORPORATED**

*"The World's Largest Producer
of Fiberglass Church Products"*

FRP Spun Cast Fiberglass Column with Tuscan Capital & Base

Our structural load bearing spun cast columns are more impact resistant than wood. Easy to install, requiring no priming, plinths, soffits or ventilation.

Column benefits:

- Architecturally correct
- Lifetime warranty
- Low maintenance
- Durable—will not rot or decay
- Protected against weathering, decay, insects and other environmental influences
- No ventilation required
- Services include splitting for reassembly for column cover applications to surround an existing support

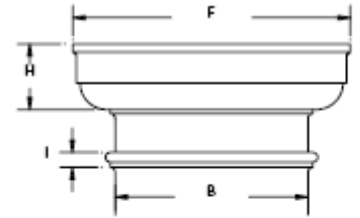
Round Tapered

COLUMN DIMENSIONS				PLAIN LOAD BEARING CAPACITIES	
Size	Bottom Width	Top Width	Length	Size	Load Bearing Capacity
8"	7 5/8"	6 1/4"	Up to 10'	8"	10,000
10"	9 5/8"	7 1/2"	Up to 12'	10"	14,000
12"	11 5/8"	9 1/4"	Up to 12'	12"	18,000
14"	13 5/8"	11 1/2"	Up to 16'	14"	20,000

*Call for availability of 16" to 30" columns

SPECIFICATIONS FOR TUSCAN CAPITAL, BASE & ASTRAGAL*						
Size	Base/Plinth			Capital		Astragal
	C	D	E	F	H	I
8"	10 1/4"	1 7/8"	2 3/8"	10 1/4"	2 3/8"	1"
10"	12 3/4"	2 3/8"	2 7/8"	12 3/4"	4"	1"
12"	15 1/4"	2 7/8"	3 3/8"	15 1/4"	3 3/8"	1"
14"	18 3/4"	3 3/8"	4"	17 1/8"	4"	7/8"

*Tuscan Capital and Base are standard. Other options available. Call for details.

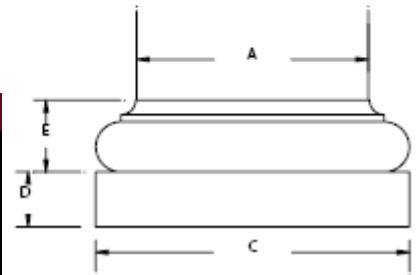


Square Non-Tapered

COLUMN DIMENSIONS				PLAIN LOAD BEARING CAPACITIES	
Size	Bottom Width	Top Width	Length	Size	Load Bearing Capacity
6"	5 11/16"	4"	Up to 8'	6"	8,000
8"	7 5/8"	6 1/4"	Up to 10'	8"	10,000
10"	9 5/8"	7 1/2"	Up to 12'	10"	14,000
12"	11 5/8"	9 1/4"	Up to 12'	12"	18,000

SPECIFICATIONS FOR TUSCAN CAPITAL, BASE & ASTRAGAL*					
Size	Base Plinth	Base Height	Capital Square	Capital Height	Flutes from bottom
6"	7 3/8"	3 1/2"	6 5/8"	2 1/2"	n/a
8"	9 7/8"	4"	9 7/16"	2 1/2"	6 1/4"
10"	13"	5 1/16"	11 7/8"	3 1/8"	7 5/8"
12"	15 5/8"	5 15/16"	13 7/8"	3 1/4"	8 1/8"

*Tuscan Capital and Base are standard. Other options available. Call for details.



Column Specifications

Fiberglass/Resin-Infused Shaft Weight

COLUMN DIA. (in.)	LENGTH (ft.)	WEIGHT (lbs)
12	8	18
12	10	22
12	12	26
12	14	55
12	16	65
12	18	75
14	8	37
14	10	45
14	12	55
14	14	65
14	16	75
16	8	52
16	10	65
16	12	77
16	14	90
16	16	100
16	18	110
16	20	130
18	10	72
18	12	90
18	14	100
18	16	115
18	18	130
18	20	145
20	10	90
20	12	105
20	14	122
20	16	140
20	18	160
20	20	175
20	22	190
20	24	210

COLUMN DIA. (in.)	LENGTH (ft.)	WEIGHT (lbs)
22	10	100
22	12	118
22	14	137
22	16	156
22	18	175
22	20	195
22	22	215
22	24	230
24	10	125
24	12	150
24	14	170
24	16	190
24	18	210
24	20	235
24	22	245
24	24	255
24	26	270
28	20	255
28	22	280
28	24	300
30	20	325
30	22	345
30	24	370
36	20	395
36	22	410
36	24	440
36	28	525
36	30	550

Column Specifications

Column Load Bearing Capacity

Lengths (Feet)

Diameter	12'	14'	16'	18'	20'	22'	24'	26'	Pounds
12"	*	*	*	*					18,000
14"	*	*	*						20,000
16"	*	*	*	*	*				22,000
18"	*	*	*	*	*				24,000
20"	*	*	*	*	*	*	*		26,000
22"	*	*	*	*	*	*	*		28,000
24"	*	*	*	*	*	*	*	*	30,000
28"					*	*	*		35,000
30"					*	*	*		35,000
36"					*	*	*		35,000

Fiberglass/Resin-Infused Shaft Specifications

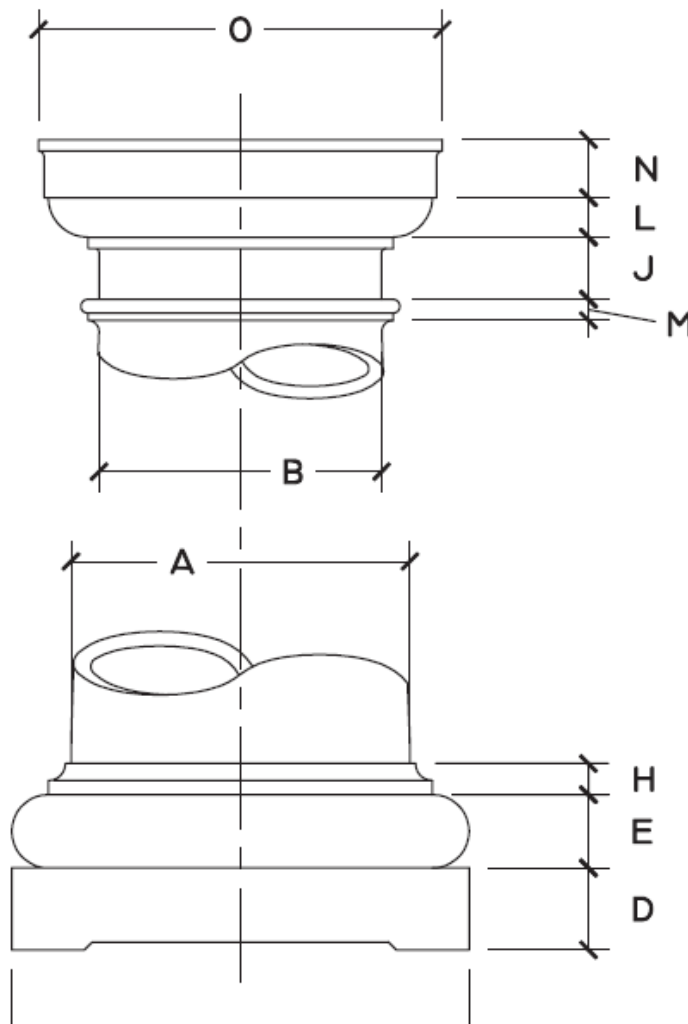
Bottom Diameter	Wall Thickness	Load	Top Diameter	Interior Clearance	Base/Plinth Height	Plinth Width	Tuscan Capital Height	Abacus Width
12"	.125"	20,000	10 1/2"	9 3/4"	6"	16 1/8"	3 3/8"	14 3/8"
14"	.125"	20,000	12"	11 3/4"	7 3/8"	18 3/4"	4"	17 1/8"
16"	.145"	22,000	13 1/2"	13 1/4"	8 1/2"	21 1/2"	4 3/8"	19 1/8"
18"	.145"	24,000	15"	14 3/4"	9 5/8"	24 1/4"	5 1/8"	21 1/4"
20"	.160"	26,000	17"	16 5/8"	10 3/4"	27"	5 7/8"	24 1/2"
22"	.160"	28,000	18 1/2"	18 1/8"	12 1/8"	29 3/4"	6 1/4"	26 1/2"
24"	.180"	30,000	20"	19 9/16"	13 1/4"	32 1/2"	7 1/2"	28 3/4"
28"	.180"	35,000	23 1/2"	22 9/16"	15 1/2"	38"	8"	33/38"
30"	.200"	35,000	25"	24 9/16"	16 1/2"	40 1/2"	9 1/8"	35 3/4"
36"	.200"	35,000	30"	29 9/16"	20 1/4"	48 3/4"	10 1/2"	42 3/4"



Column Specifications

Tuscan Cap and Base Dimensions

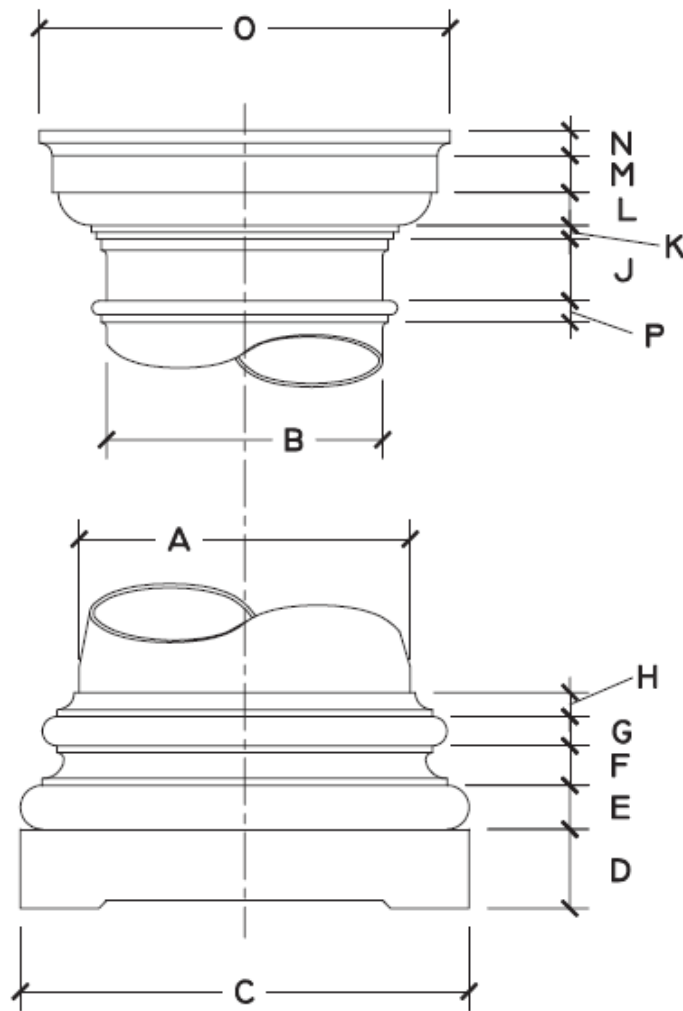
BOT. DIA	TOP DIA	Square Plinth		Round Base		Total Base	Round Cap			Square Abacus		Total Cap
A	B	C	D	E	H	E & H	M	J	L	N	O	L & N
12	10	16 1/8	2 3/4	2 3/8	7/8	3 1/4	13/16	2 1/8	1 3/8	2	14 3/8	3 3/8
14	12	18 3/4	3 3/8	3	1	4	7/8	2 5/8	1 5/8	2 3/8	17 1/8	4
16	13 1/2	21 1/2	3 7/8	3 3/8	1 1/8	4 1/2	1	3	1 7/8	2 3/4	19 1/4	4 5/8
18	15	24 1/4	4 1/4	3 7/8	1 1/2	5 3/8	1 3/16	3 3/8	2 1/8	3	21 1/2	5 1/8
20	17	27	4 3/4	4 1/4	1 3/4	6	1 5/16	3 3/4	2 1/4	3 3/8	24 1/4	5 5/8
22	18 1/2	29 3/4	5 1/4	4 3/4	2 1/8	6 7/8	1 3/8	4	2 1/2	3 3/4	26 1/2	6 1/4
24	20	32 1/2	5 3/4	5 1/4	2 1/4	7 1/2	1 9/16	4 1/2	2 3/4	4 1/8	28 3/4	6 7/8
26	22	35	6 1/4	5 5/8	2 5/8	8 1/4	1 11/16	4 3/4	3	4 3/8	31 1/2	7 3/8
28	23 1/2	38	6 3/4	6	2 3/4	8 3/4	1 13/16	5 1/8	3 1/4	4 3/4	33 3/8	8
30	25	40 1/2	7 1/4	6 1/2	2 3/4	9 1/4	1 7/8	5 1/2	3 1/2	5 1/8	35 3/4	8 5/8
36	30	48 3/4	8 3/4	7 3/4	3 5/8	11 3/8	2 5/16	6 1/2	4 1/4	6 1/4	42 3/4	10 1/2



Column Specifications

Roman Doric Cap & Attic Base Dimensions

BOT. DIA	TOP DIA	Square Plinth		Round Base				Total Base	Round Cap				Square Abacus			Total Cap
		A	B	C	D	E	F	G	H	E,F,G,H	P	J	K	L	M	N
12	10	16 1/8	2 3/4	1 1/2	1 3/8	1	5/8	4 1/2	3/4	2 1/8	7/16	1 3/16	1 1/2	7/8	14 3/4	4
14	12	18 3/4	3 3/8	1 3/4	1 5/8	1 1/4	3/4	5 3/8	7/8	2 5/8	9/16	1 3/8	1 5/8	1 1/8	17 1/2	4 11/16
16	13 1/2	21 1/2	3 7/8	2 1/8	1 7/8	1 3/8	7/8	6 1/4	1	3	5/8	1 5/8	1 7/8	1 1/4	19 7/8	5 3/8
18	15	24 1/4	4 1/4	2 3/8	2 1/8	1 1/2	1 1/8	7 1/8	1 3/16	3 3/8	3/4	1 3/4	2 1/8	1 3/8	22 1/4	6
20	17	27	4 3/4	2 5/8	2 3/8	1 3/4	1 3/8	8 1/8	1 1/4	3 3/4	3/4	2	2 3/8	1 5/8	25	6 3/4
22	18 1/2	29 3/4	5 1/4	2 7/8	2 5/8	1 7/8	1 5/8	9	1 3/8	4 1/8	7/8	2 1/8	2 5/8	1 3/4	27 3/8	7 3/8
24	20	32 1/2	5 3/4	3 3/16	2 7/8	2 1/8	1 3/4	9 15/16	1 1/2	4 1/2	15/16	2 3/8	2 3/4	1 13/16	29 3/4	7 7/8
28	23 1/2	38	6 3/4	3 3/4	3 3/8	2 3/8	1 7/8	11 3/8	1 5/8	5	1 1/8	2 3/4	3 3/8	2 1/8	34 5/8	9 3/8
30	25	40 1/2	7 1/4	3 7/8	3 5/8	2 5/8	1 7/8	12	1 13/16	5 1/2	1 3/16	2 7/8	3 1/2	2 3/8	37	9 15/16
36	30	48 3/8	8 3/4	4 3/4	4 3/8	3 1/8	2 1/2	14 3/4	2 1/16	6 3/8	1 3/8	3 5/8	4 1/4	2 3/4	44 1/8	9 15/16



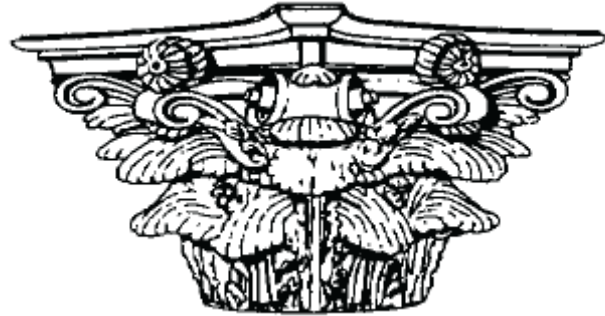
FIBERGLASS SPECIALTIES INCORPORATED
"The World's Largest Producer of Fiberglass Church Products"

Fiberglass or Urethane

These caps and bases are manufactured with the same attention to detail and advanced materials as our column shafts. From Tuscan to Temple of the Winds, their durability and classic styling make these columns the top choice of discriminating builders and designers.

Decorative Capitals

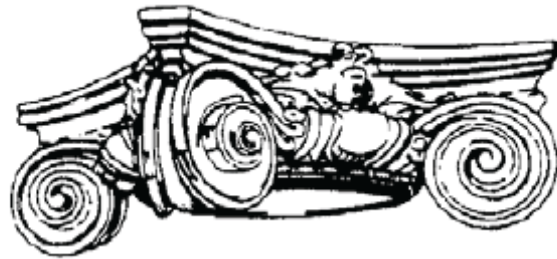
Roman Corinthian



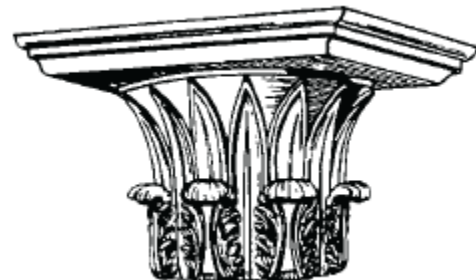
Roman Ionic



Scamozzi



Temple of the Winds



Sizes customized for column requirements. Call for details.

Filament-Wound Columns Process

ENGINEERING SPECIFICATIONS

In our filament winding process, glass fibers are wrapped in two directions: 90 and +/-45 degrees. This allows for maximum strength. After the shaft winding is complete and the column has undergone a curing cycle, the exterior is finished to a smooth, paintable surface. Afterward, the column top receives the final detail for a specific capital configuration that the customer has requested. Fabrication of the decorative astragal (bead) for each column is produced using a high strength urethane-based foam product that resists cracking and weathering and is fully paintable. The astragal is molded directly onto the column neck and involves no bonding or gluing.

Materials Used: E-Glass Fiberglass
Roving Polyester Resin

Filament Wound Composite Mechanical Properties	Range
• TENSILE STRENGTH.....	35,000—50,000 psi
• TENSILE MODULUS.....	2,500,000—3,600,000
• FLEXURAL STRENGTH.....	30,000—50,000 psi
• FLEXURAL MODULUS.....	2,500,000—3,600,000
• COMPRESSIVE STRENGTH.....	30,000—45,000 psi
• WATER ABSORPTION.....	0.5% (By wt.)
• BARCOL HARDNESS.....	50
• THERMAL EXPANSION.....	.000012 in / deg F
• FIBERGLASS TO RESIN RATION (Min).....	60% / 40%

Nominal Column Size	Average Wall Thickness (inches)
10", 12", 14"	.125
16", 18"	.145
20", 22"	.160
24", 28"	.180
30", 36"	.200

The ultimate compressive strength for a 12" diameter column in wood and rotocast fiberglass is 8000 lb., while in a filament wound fiberglass column, it is 50,000 lb. Filament wound fiberglass columns have the same basic characteristics as rotocast columns as far as weathering, insect resistance, etc., yet they are not as brittle. Due to the lightweight and high strength of these columns, crating is not required for shipping. The column comes unfinished, requiring priming and painting per the individual contractor or homeowner's needs. As with all fiberglass columns, painting is required to eliminate UV degradation of the materials.



Filament-Wound Fiberglass/Resin-infused Columns

Finishing and Installation Instructions

Finishing and Painting Instructions

The surface preparation of you columns and components is very important to assure you a lifetime of beauty.

- Lightly sand and remove ALL dust and or dirt before applying any paint or primer. In case of surface scratches, some filling may be required.
- Use a good high quality exterior paint, at least one coat of primer and two coats surface paint. We strongly recommend an alkyd or oil based primer and paint.
- Follow the paint instructions completely, making sure that the air and material temperatures are in accordance with the manufacturer's suggested recommendations. Paint adhesion problems occur when the directions are not followed properly.

Installation Instructions

The position of the plinth must be determined by dropping a plumb line from the center of the soffit beam to the floor. This point should be marked well on the floor.

1. Measure the overall height. Raise the soffit or porch slightly and brace safely for later column placement
2. Measure shaft length and if necessary, trim the shaft on the bottom only. Trim with an abrasive saw blade and always wear protective eye guards. Finish both the top and bottom ends of shaft with a rasp or sander to ensure an even load distribution around the shaft.
3. Slide the standard capitals (Tuscan/Roman Doric) over the neck and rest temporarily on the astragal until the shaft is in the proper position.
4. Slide base/plinth onto shaft from the bottom.
5. Stand column in a vertical position and slide into place where mark was made on floor.
6. Use small L brackets to hold shaft to flooring and do not let these brackets interfere with the position of the base/plinth. (NOTE: Use through bolts on shaft, do not use screws.)
7. Remove brace and allow load to rest on column evenly.
8. Measure and pre-drill hole in capital and base for screws.
9. Slide capital up to soffit and attach using corrosion resistant type screws. Attach base to floor using masonry or appropriate fasteners. Fill holes with a polyester filler.
10. Caulk between the capital and the shaft, and the base and the shaft for a completed appearance. (NOTE: a gap around the base and shaft is normal and a standard in the industry.

Reassembly for Split Filament Wound Fiberglass/Resin-infused Columns

Column shafts will arrive split in half with tabs fastened to column with 1" grabber screws (see drawing).

- Separate column halves by removing 1" grabber screws from one side of column seam. Back grabber screws out from the other half to allow tabs to separate from the column. Apply high quality polyester adhesive (see detail A). Tighten grabber screws on tabs.
- Position tabbed half section around post or support.
- Align other half section to tabbed section and join together with high quality polyester adhesive and screws. Strap clamps may be useful.
- After adhesive cures, (follow recommended cure time) remove the clamp or straps and screws. Fill the seam with polyester type bondo or filler and sand smooth.
- After sanding and removing dust, column is ready for finishing, priming and painting.

NOTE: Column shafts are fully load bearing. Splitting and tabbing is a service that we provide for you. If you choose to split shafts, our warranty is void. Always keep shafts joined together until ready for assembly

