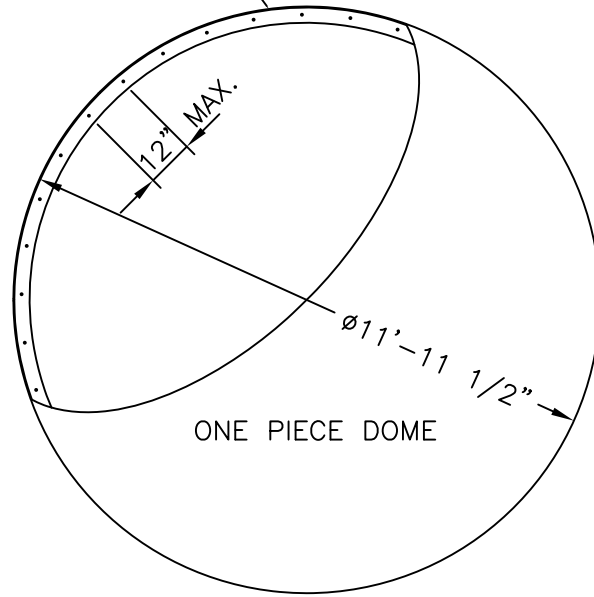
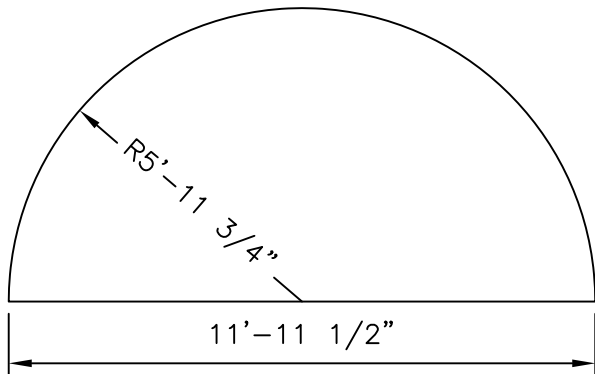


SMOOTH GEL COAT FINISH ON DOME SURFACE

VERTICAL SECTION

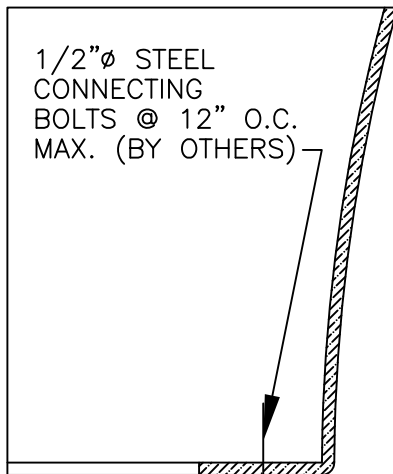


ROOF PLAN / SECTION



ELEVATION

ESTIMATED WEIGHT 1,135 lb.



OUT TURNING SEAM (OPTIONAL)

SMOOTH FRP OUTER SURFACE

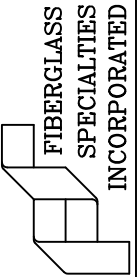
1/2"Ø STEEL CONNECTING BOLTS @ 12" O.C. MAX. (BY OTHERS)

INTURNING SEAM (STANDARD)

FLANGE DETAIL @ BASE

THESE DRAWINGS ARE THE PROPERTY OF FIBERGLASS SPECIALTIES INC. DIMENSIONS AND DETAILS ARE SUBJECT TO CHANGE. DOME ARE DESIGNED TO BE ERECTED ON A COMPLETED ROOFING SYSTEM AND ARE NOT GUARANTEED TO BE LEAK PROOF.

P.O. BOX 1340  
HENDERSON, TX 75653-1340  
903/657-6522  
FAX# 903/657-2318



Project: DOME 12 STANDARD

Date: 08-17-07

Revisions 07-10-08 THE

Drawing By: THE

Checked By: ALL-STL\EL\D#12A

DWG # DR\DOME\D #12A

Scale: NTS

Sheet#

E1

ELEVATION