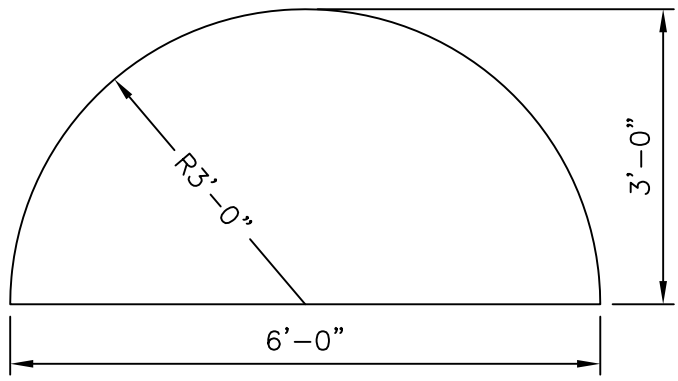
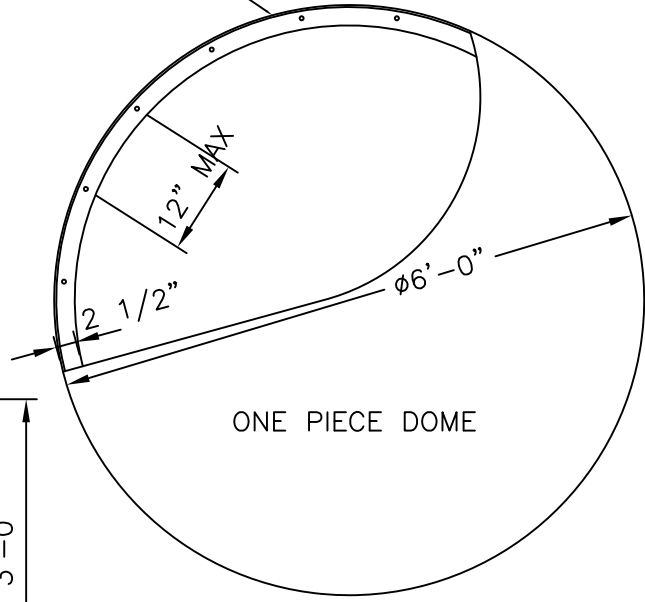


SECTION



ELEVATION

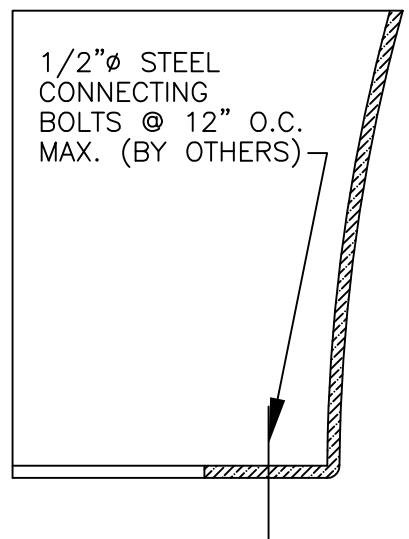
SMOOTH GEL COAT FINISH ON DOME SURFACE



ROOF PLAN / SECTION

ONE PIECE DOME

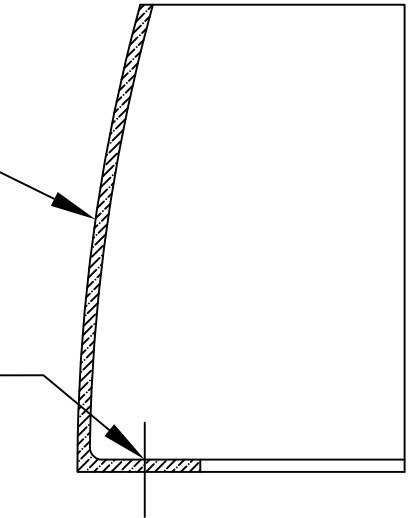
ESTIMATED WEIGHT 175 lb.



OUT TURNING SEAM (OPTIONAL)

SMOOTH FRP OUTER SURFACE

1/2"Ø STEEL CONNECTING BOLTS @ 12" O.C. MAX. (BY OTHERS)

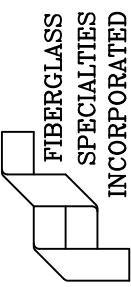


INTURNING SEAM (STANDARD)

FLANGE DETAIL @ BASE

THESE DRAWINGS ARE THE PROPERTY OF FIBERGLASS SPECIALTIES INC. DIMENSIONS AND DETAILS ARE SUBJECT TO CHANGE. DOMES ARE DESIGNED TO BE ERECTED ON A COMPLETED ROOFING SYSTEM AND ARE NOT GUARANTEED TO BE LEAK PROOF.

P.O. BOX 1340
HENDERSON, TX 75653-1340
903/657-6522
FAX# 903/657-2318



Project: DOME 6 STANDARD

Date: 06-26-07

Revisions 8-27-07 THE

7-10-08 THE

Scale: NTS

Drawing By: THE

Checked By: ALL-STL\EL

DWG # D #6

Sheet #

E1

ELEVATION