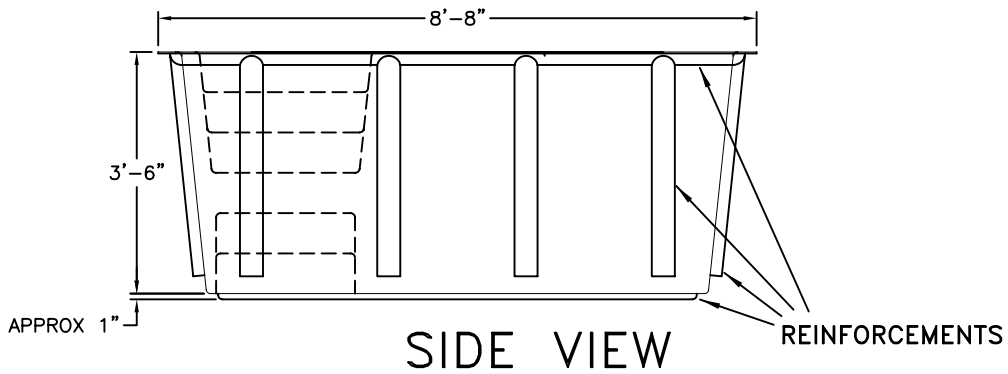
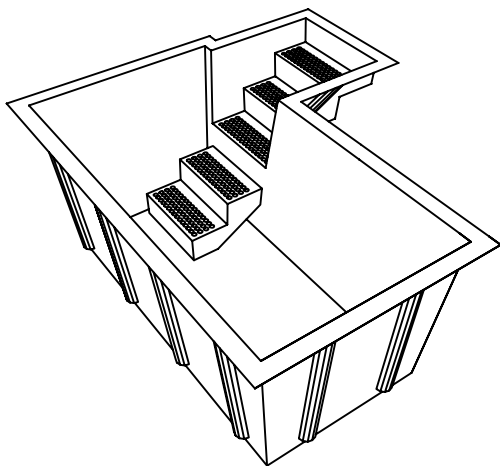


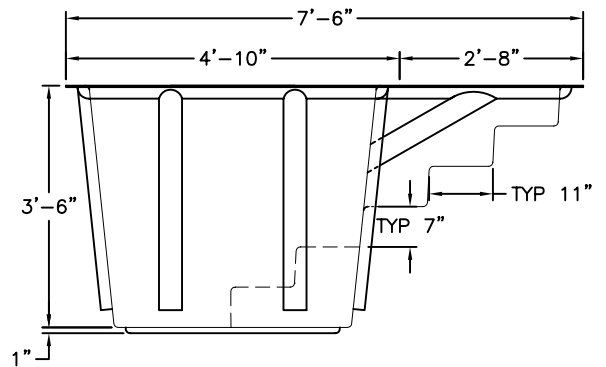
Capacity: 750 gal.



NOTE:
 Steps shall conform to nationally accepted model building code requirements with regard to riser height and tread width. Step tread surfaces shall have a raised disk slip-resistant surface. All corners shall be gently rounded for safety.



PERSPECTIVE VIEW
 "NO SCALE"



Installation Notes:
 Plumbing holes (drain, heater, etc.) to be located and cut in field by contractor or plumber.

Drain should be located in any of the four corners of the tank floor.

SHEET
NO. 1 OF 1

DATE: 07-24-03	SHEET FILE NAME: NEW BAPT\MI-A
DRAWN BY: RLB	REVISION: 0
CHECKED BY:	APPROVED BY:

BAPTISTRY M1-A



P.O. BOX 1340
 HENDERSON, TEXAS
 75653-1340
 903/657-6522
 FAX# 903/657-2318