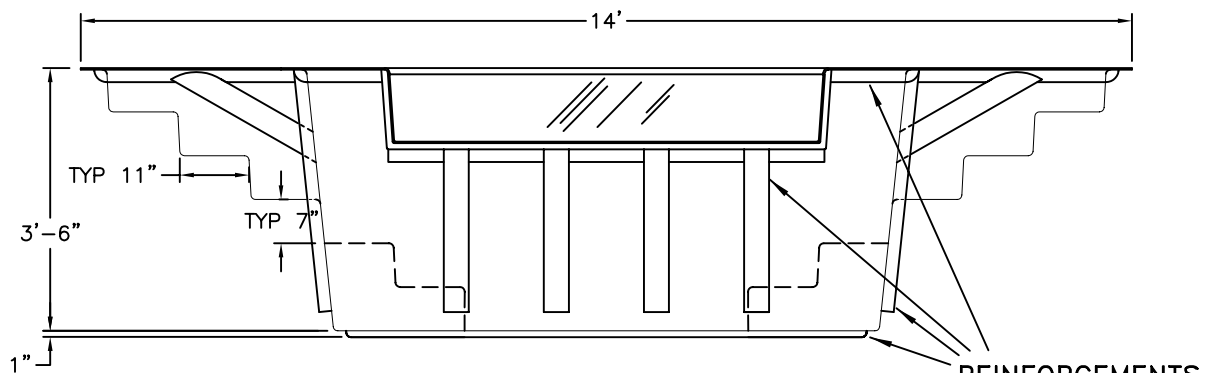


PLAN VIEW

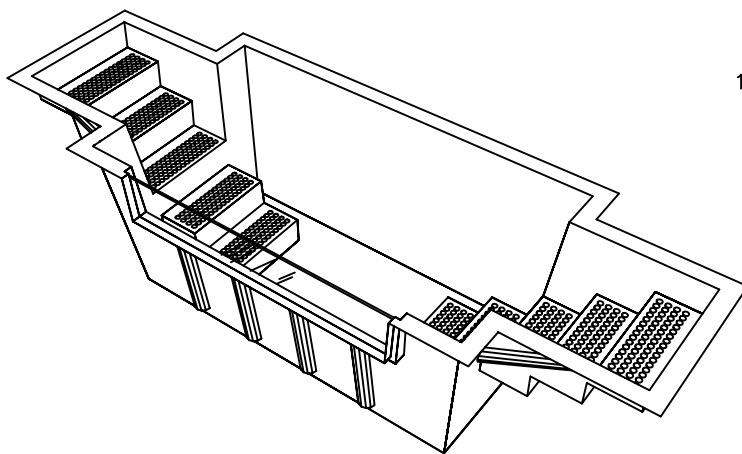
Capacity: 795 gal.



SIDE VIEW

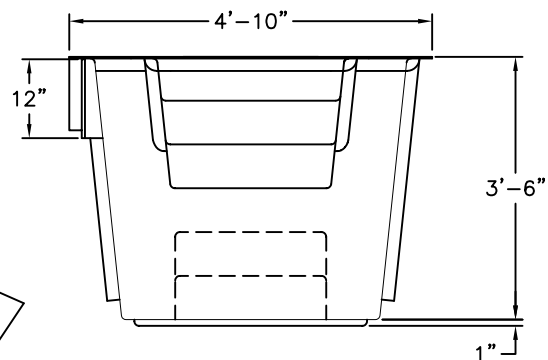
REINFORCEMENTS

NOTE:
Steps shall conform to nationally accepted model building code requirements with regard to riser height and tread width. Step tread surfaces shall have a raised disk slip-resistant surface. All corners shall be gently rounded for safety.



PERSPECTIVE VIEW

"NO SCALE"



END VIEW

Installation Notes:
Plumbing holes (drain, heater, etc.) to be located and cut in field by contractor or plumber.

Drain should be located in any of the four corners of the tank floor.

SHEET
NO. 1 OF 1

DATE: 07-24-03	SHEET FILE NAME: NEWBAPT/M2-K
DRAWN BY: RLB	REVISION: 0
CHECKED BY:	APPROVED BY:

BAPTISTRY M2-KE-W



P.O. BOX 1340
HENDERSON, TEXAS
75653-1340
903/657-6522
FAX# 903/657-2318