



"Manufacturers of Quality Architectural Fiberglass Products"

Portable Baptismal Pools



BETTER BAPTISTRIES, BETTER BUILT !

FIBERGLASS SPECIALTIES, INC 500 AUSTIN AVE HENDERSON, TX 72652
800-527-1459 WWW.FSIWEB.COM SALES@FSIWEB.COM



Features:

Patented Skid Resistant Surfaces

Reinforced Seat Platform

Armour Guard Gel Coats—Marine Grade

Highest quality resins and glass

Steps (included) store inside baptistery

Available in bone, blue, white, & aqua



IN STOCK - READY TO SHIP !!

Optional Items



Portable Top (P-Top)

This hand rubbed oak top is perfect for adding a dual purpose to the pool. It has a water resistant underside to prevent moisture from harming the top. (ships as separate item)

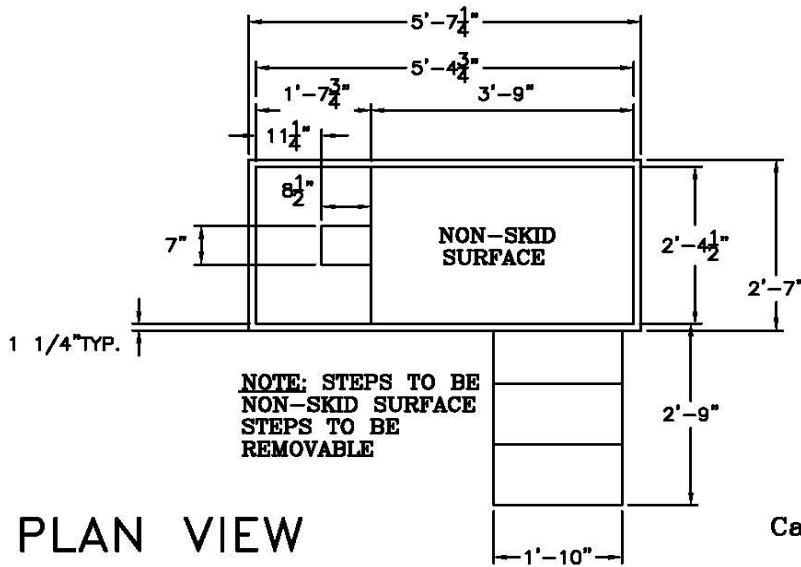
Portable Heater

EQAS P120 -
1000watt/120v heater

EQAS P240 -
4000 watt/240v



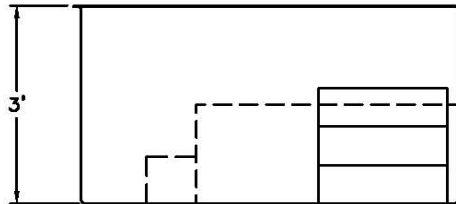
Our newest, UL listed for use with baptismal pools, portable heater is the perfect solution for heating and draining the portable pool. Just set the pump inside a filled pool, screw on the hoses, set the heater on the floor outside the pool, & plug it in. It's just that simple and much safer than traditional over the side heaters. The 120v unit even comes with a built in GFI for user protection.



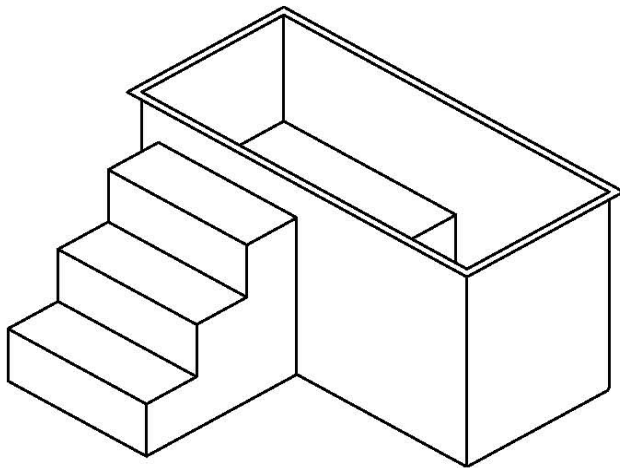
PLAN VIEW

Capacity: 100 gal.

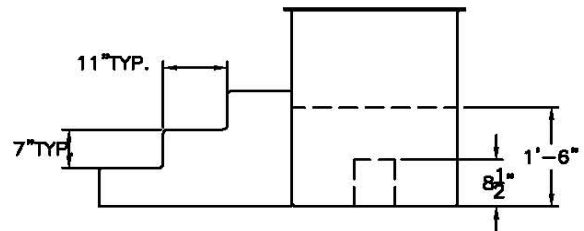
This tank will actually hold about 175 gallons when full to the top.



SIDE VIEW



PERSPECTIVE VIEW
"NO SCALE"



END VIEW

SHEET
NO. 1 OF 1

DATE: 10-30-02	SHEET FILE NAME: NEW BAPT\EZ
DRAWN BY: JC	REVISION: 0
CHECKED BY:	APPROVED BY:

BAPTISTRY EZ-P



P.O. BOX 1340
HENDERSON, TEXAS
75653-1340
903/657-8522
FAX# 903/657-2318