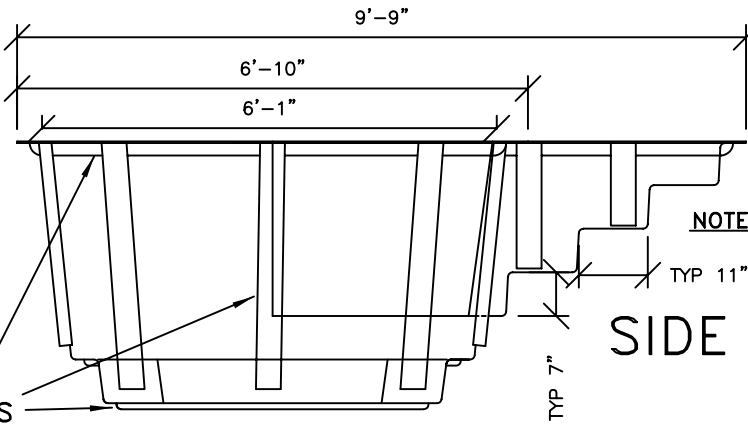


Capacity: 715 gal.

PLAN VIEW

NOTE:
Steps shall conform to nationally accepted model building code.

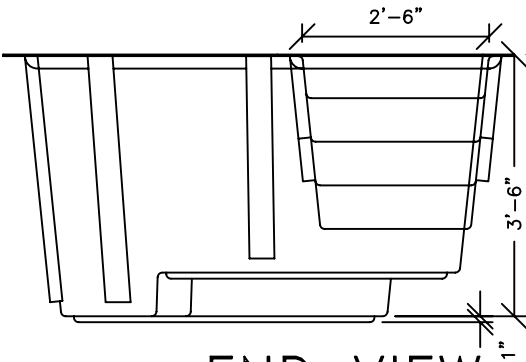
Step tread surfaces shall have a raised disk slip-resistant surface. All corners for safety, shall be gently rounded



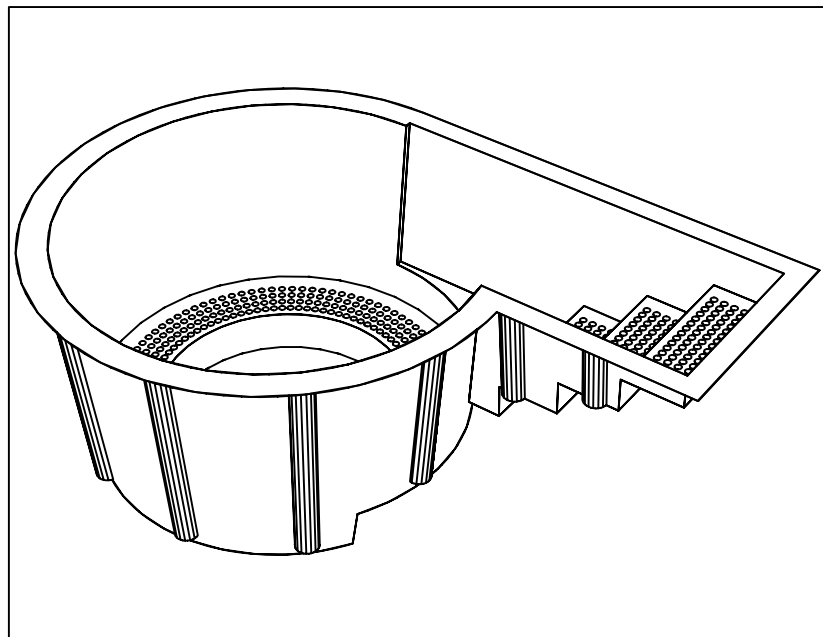
NOTE: REINFORCEMENT LOCATION WILL VARY AT BACK SIDE FOR DRAIN LOCATIONS

SIDE VIEW

REINFORCEMENTS



END VIEW

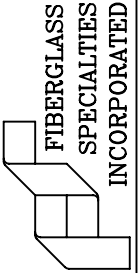


PERSPECTIVE VIEW

"NO SCALE"

Installation Notes:
Plumbing holes (drain, heater, etc.) to be located and cut in field by contractor or plumber.
Drain should be located in any of the four corners of the tank floor.

P.O. BOX 1340
HENDERSON, TX 75653-1340
903/657-6522
FAX# 903/657-2318



Project:
"SERIES 2000"
BAPTISTRY MODEL #R1-R

Date: 2-28-96
Revisions
Scale: 3/8" = 1'-0"

Drawing By: BEB
Checked By:
File # \new-bapt
DWG # R1-R

Sheet #
R1-R