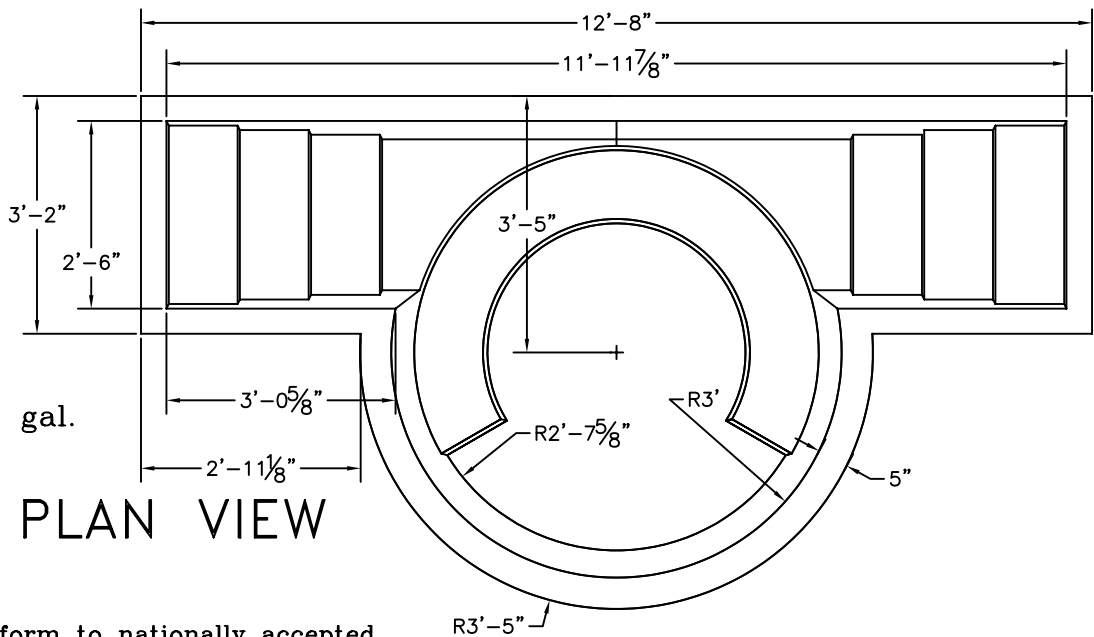


Capacity: 850 gal.

PLAN VIEW



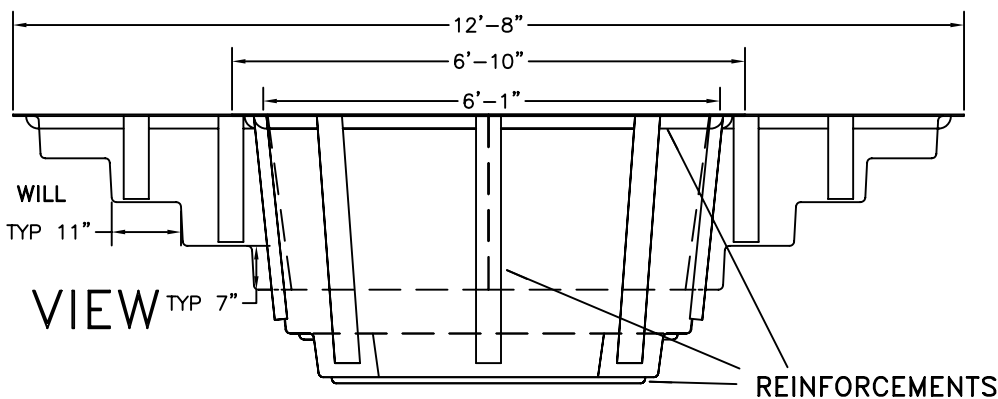
NOTE:

Steps shall conform to nationally accepted model building code.

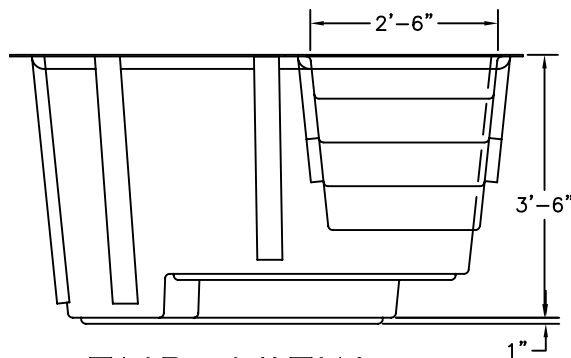
Step tread surfaces shall have a raised disk slip-resistant surface. All corners shall be gently rounded for safety.

NOTE: REINFORCEMENT LOCATION WILL VARY AT BACK SIDE FOR DRAIN LOCATIONS

SIDE VIEW



END VIEW



Installation Notes:

Plumbing holes (drain, heater, etc.) to be located and cut in field by contractor or plumber.

Drain should be located in any of the four corners of the tank floor.

SHEET NO. 1 OF 1

DATE: 10-28-02	SHEET FILE NAME: SALESREND/R2
DRAWN BY: JC	REVISION: 0
CHECKED BY:	APPROVED BY:

BAPTISTRY R2



P.O. BOX 1340
HENDERSON, TEXAS
75653-1340
903/657-6522
FAX# 903/657-2318