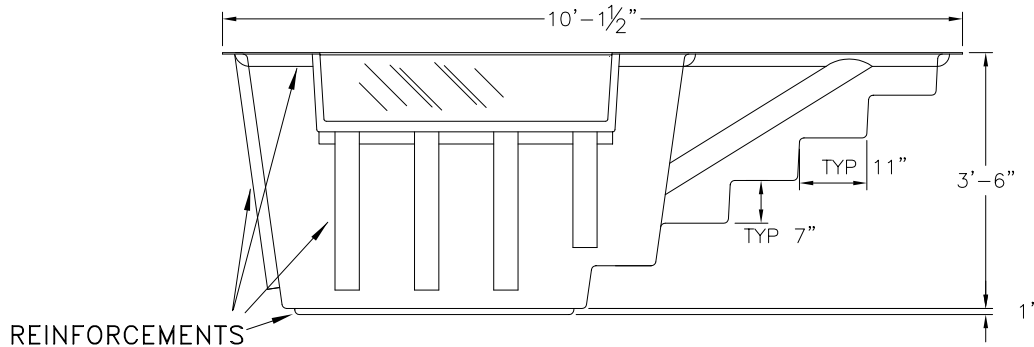


PLAN VIEW

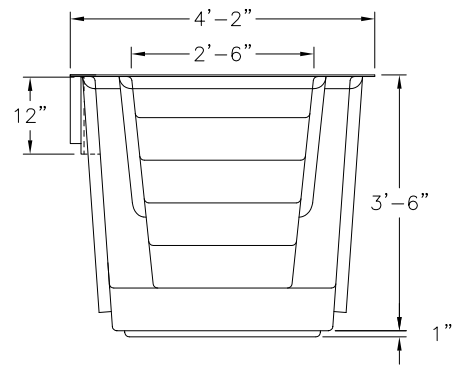
Capacity: 590 gal.



SIDE VIEW

NOTE:

Steps shall conform to nationally accepted model building code requirements with regard to riser height and tread width. Step tread surfaces shall have a raised disk slip-resistant surface. All corners shall be gently rounded for safety.



END VIEW

Installation Notes:

Plumbing holes (drain, heater, etc.) to be located and cut in field by contractor or plumber. Drain should be located in any of the four corners of the tank floor.

DATE: 10-30-02	SHEET FILE NAME: NEW BAPT\S1
DRAWN BY: JC	REVISION: 0
CHECKED BY:	APPROVED BY: