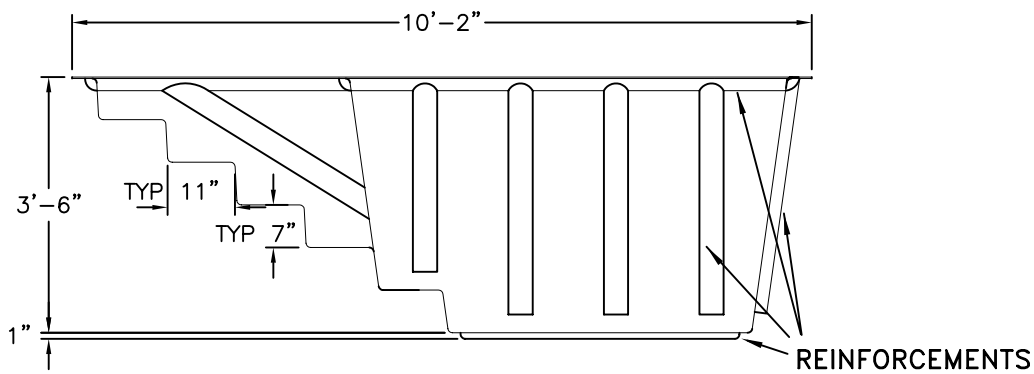
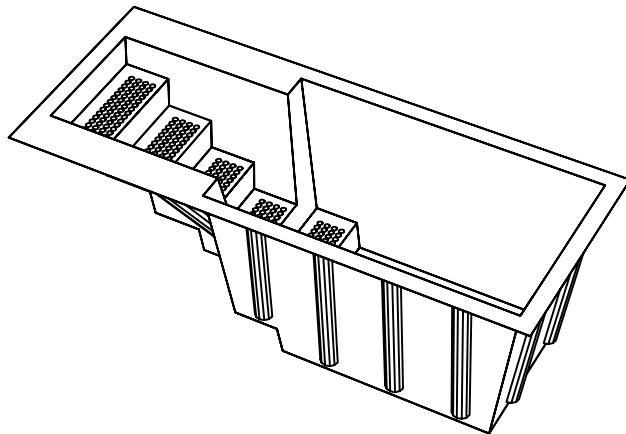


PLAN VIEW Capacity: 590 gal.

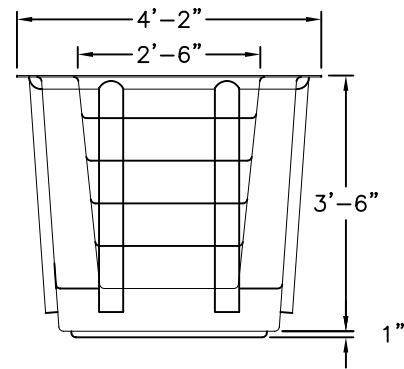


SIDE VIEW

NOTE:  
Steps shall conform to nationally accepted model building code requirements with regard to riser height and tread width. Step treads shall have a raised disk pattern slip-resistant surface. All corners shall be gently rounded for safety.



PERSPECTIVE VIEW  
"NO SCALE"



END VIEW

Installation Notes:  
Plumbing holes (drain, heater, etc.) to be located and cut in field by contractor or plumber.  
Drain should be located in any of the four corners of the tank floor.

SHEET  
NO. 1 OF 1

DATE: 10-30-02	SHEET FILE NAME: NEW BAPT\S1
DRAWN BY: JC	REVISION: 0
CHECKED BY:	APPROVED BY:

BAPTISTRY S1



P.O. BOX 1340  
HENDERSON, TEXAS  
75653-1340  
903/657-6522  
FAX# 903/657-2318