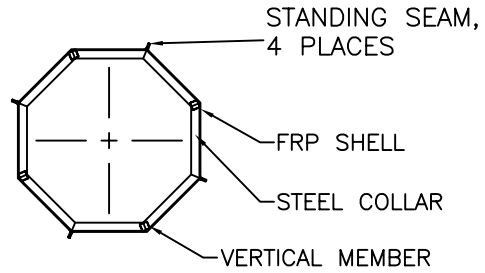
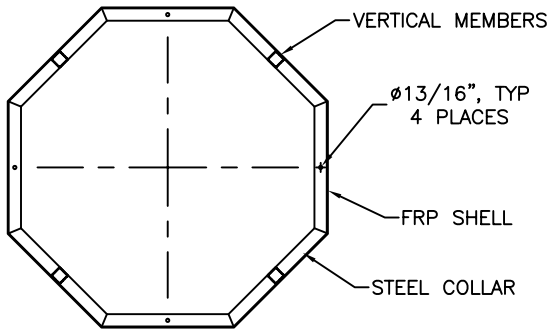


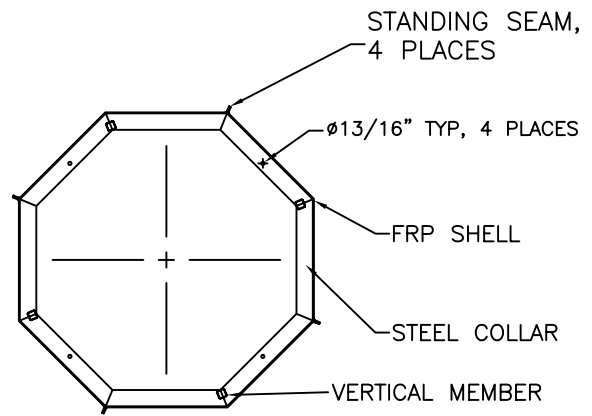
3
S2 BASE OF CU-1050



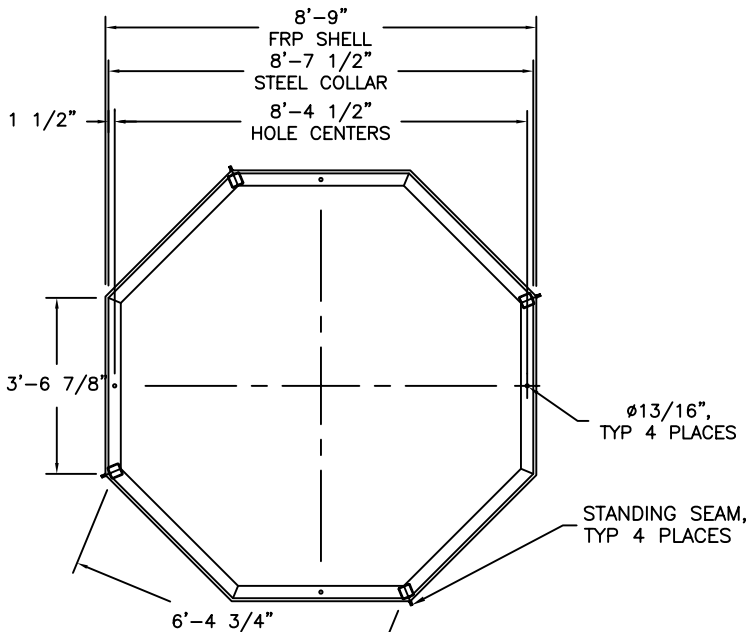
6
S2 TOP OF SP-1032



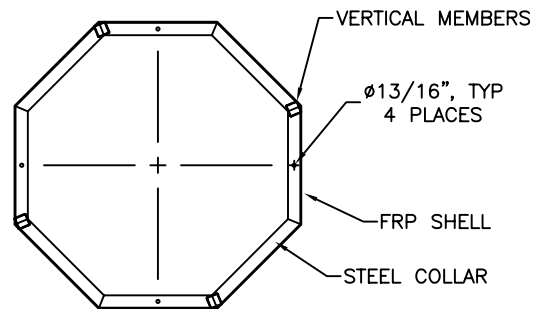
2
S2 TOP OF CU-1075



5
S2 BASE OF SP-1032



1
S2 BASE OF CU-1075



4
S2 TOP OF CU-1050

P.O. BOX 1340
HENDERSON, TX 75653-1340
903/657-6522
FAX# 903/657-2318

FIBERGLASS
SPECIALTIES
INCORPORATED

Project: STEEPLE UNIT #12
SECTION DETAILS

Date: 10-05-00
Revisions 02-22-06 AGT

Drawing By: RLB
Checked By: ALL-STL
File # ST12C2
DWG # 1/4" = 1'

Sheet# S2C
STRUCTURE