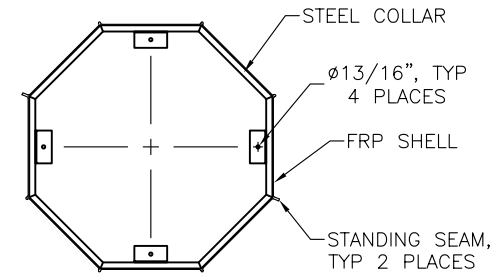
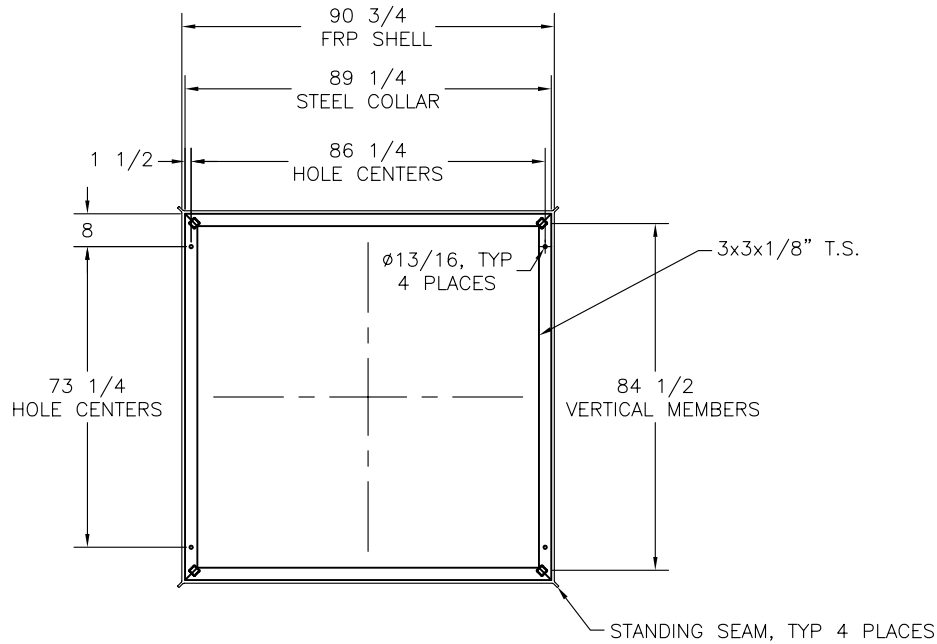


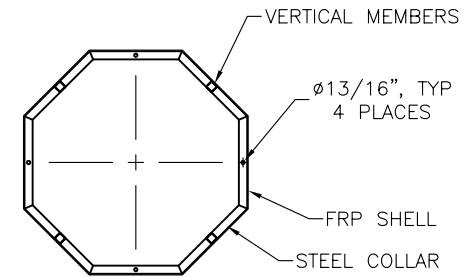
2 TOP OF CU-703
S2



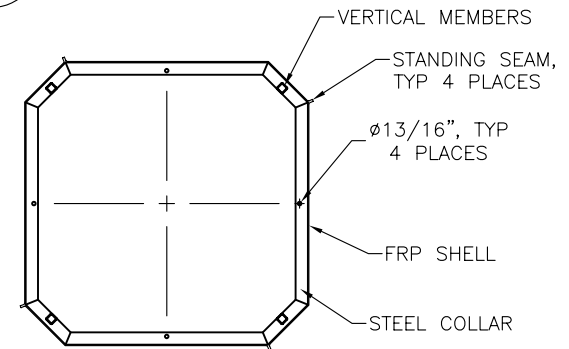
5 BASE OF SP-728
S2



1 BASE OF CU-703
S2



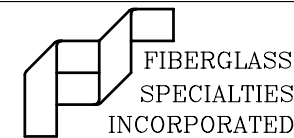
4 TOP OF CU-608C
S2



3 BASE OF CU-608C
S2

STRUCTURE	Sheet#	Drawing By: RLB	Date: 08-17-00
		Checked By:	Revisions 02-24-07 AJ
		File # ALL-STL\	
		DWG # ST19C2	Scale: 1/4"=1'

Project: STEEPLE UNIT #19
SECTION DETAILS



P.O. BOX 1340
HENDERSON, TX 75653-1340
903/657-6522
FAX# 903/657-2318