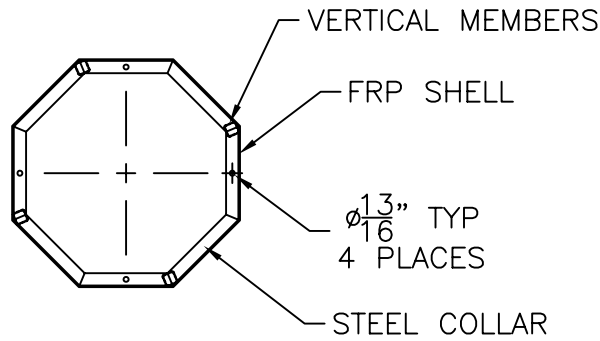


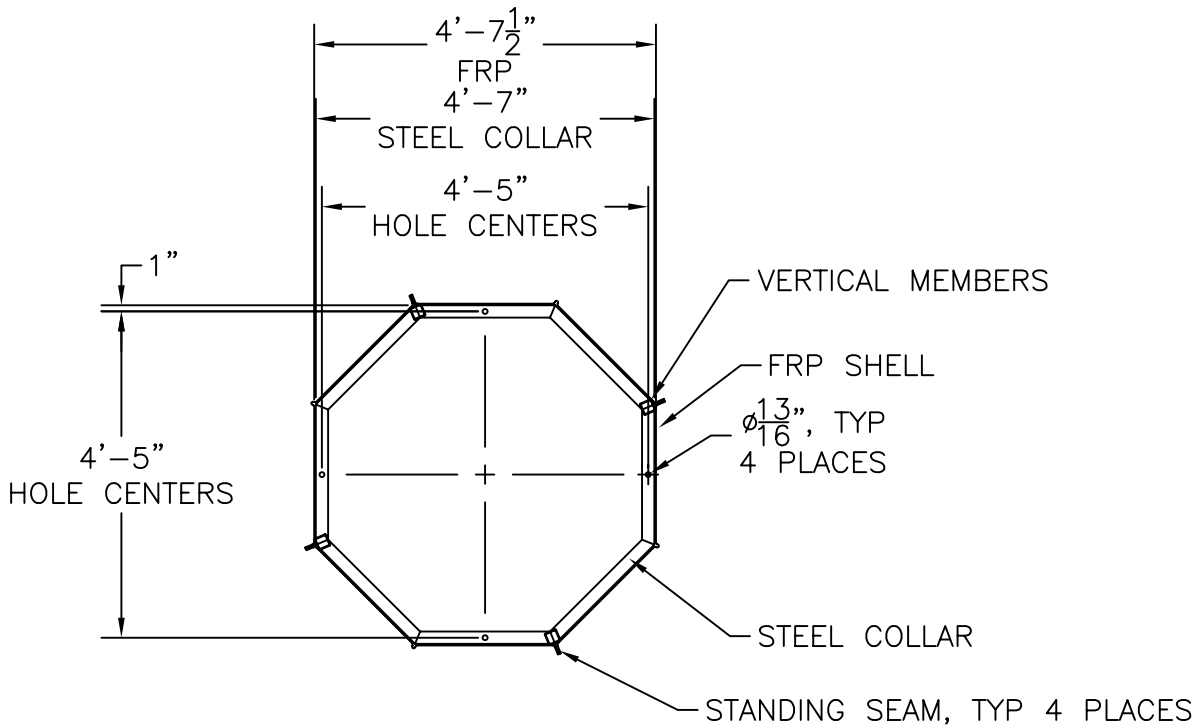
3
S2

BASE OF SP-619
PLAN VIEW



2
S2

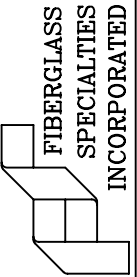
TOP OF CU-601



1
S2

BASE OF CU-601
PLAN VIEW

P.O. BOX 1340
HENDERSON, TX 75653-1340
903/657-6522
FAX# 903/657-2318



Project: STEEPLE UNIT #22
SECTION DETAILS

Date: 10-17-00

Revisions 11-28-05 AGT

Scale: 3/8" = 1'

Drawing By: RLB

Checked By: ALL-STL

File # ST22C2

Sheet #

S2C

STRUCTURE