

STEEPLE UNIT #25
 SECTION DETAILS

Project:

Date: 02-28-01

Revisions 03-22-07 AJ

Scale: 3/8" = 1'

Drawing By: RLB

Checked By: ALL-STL

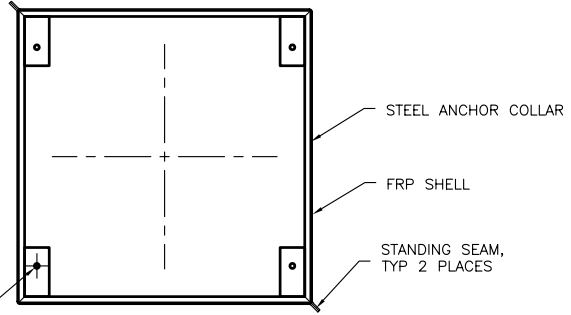
File # ST25C2

DWG #

Sheet#

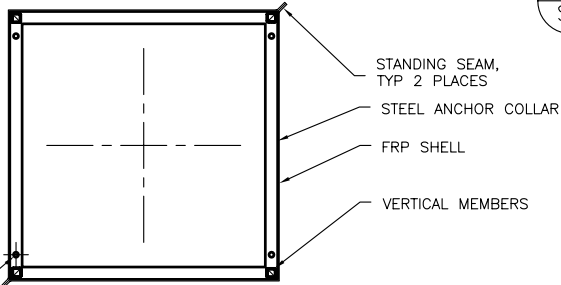
S2C

STRUCTURE



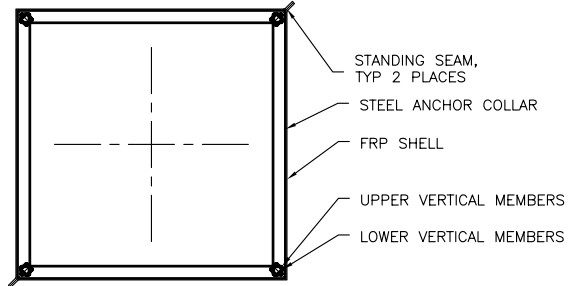
3 BASE OF SP-822
 S2 PLAN VIEW

ø13/16, TYP
 4 PLACES

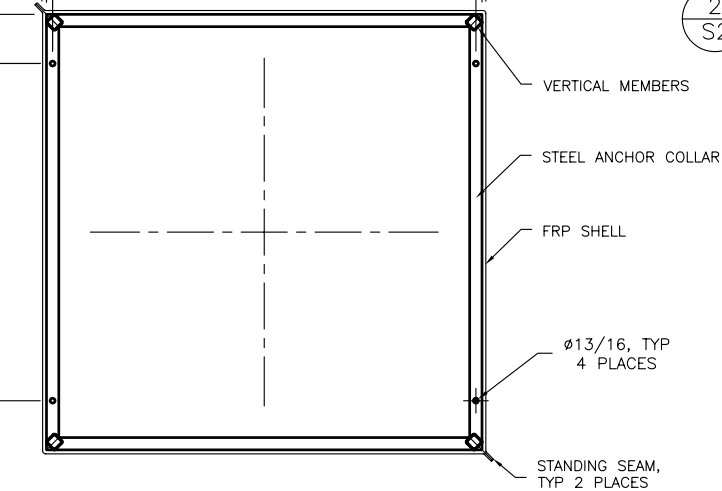
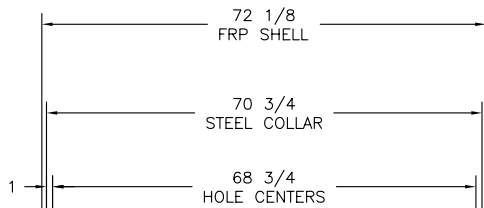


3 TOP OF CU-803
 S2 PLAN VIEW

ø13/16, TYP
 4 PLACES



2 MIDDLE OF CU 803
 S2 PLAN VIEW



1 BASE OF CU-803
 S2 PLAN VIEW