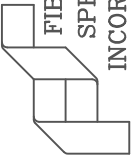


DESIGN PARAMETERS

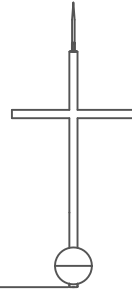
The unit described in these drawings is engineered to adequately support the loads created by a wind velocity of 120 MPH at a height of 50' above ground using ASCE 7-95 exposure category "C".

P.O. BOX 1340
HENDERSON, TX 75653-1340
903/657-6522
FAX# 903/657-2318

FIBERGLASS
SPECIALTIES
INCORPORATED



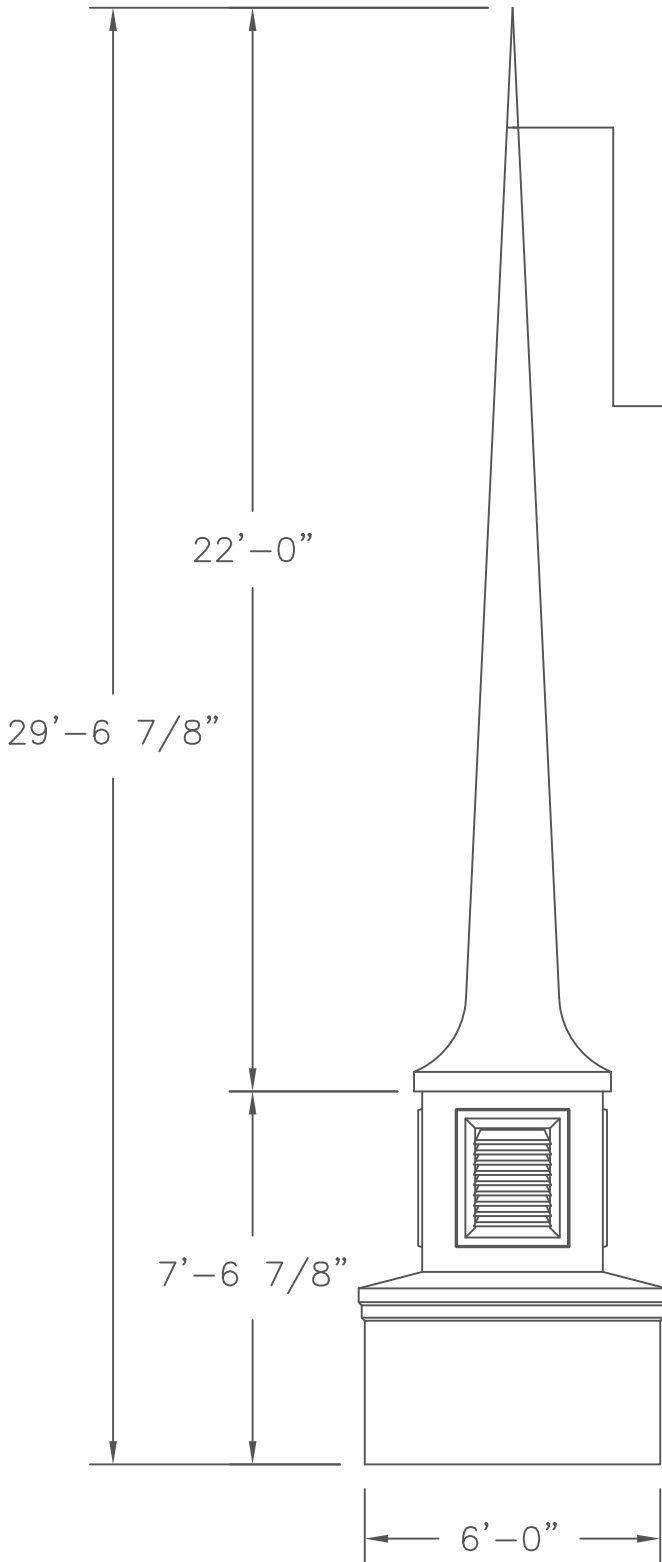
OPTIONAL LIGHTNING
PACKAGE AIR TERMINAL



OPTIONAL 4' SPIRE CROSS
(ALSO AVAILABLE IN 2' AND 3' HEIGHTS).

OPTIONAL 9" DIAMETER BALL
(ALSO AVAILABLE IN 6" DIAMETER)

ALL UNITS WERE ENGINEERED WITH A 4' CROSS
AND 9"Ø BALL INSTALLED PER FIBERGLASS
SPECIALTIES, INC. STANDARD MOUNTING PROCEDURES.



SPIRE UNIT #822

CUPOLA UNIT #803 WITH
VENTED LOUVERS
(ALSO AVAILABLE WITH FALSE LOUVERS
OR KRINKLGLAS WINDOWS)

① ELEVATION

Project:

STEEPLE UNIT #25

Date: 10-27-00

Revisions 08-14-07 AJ

Scale: 1/4" = 1'

Drawing By: RLB

Checked By: ALL-STL

DWG # SU25F

Sheet #

E1F
ELEVATION

THESE DRAWINGS ARE THE PROPERTY OF FIBERGLASS SPECIALTIES INC. DIMENSIONS AND DETAILS ARE SUBJECT TO CHANGE WITHOUT NOTICE. ALL CUPOLA AND STEEPLE UNITS ARE FABRICATED USING MINIMAL STANDING SEAMS UNLESS OTHERWISE NOTED. ALL CUPOLA AND STEEPLE UNITS ARE DESIGNED TO BE ERECTED ON A COMPLETED ROOFING SYSTEM AND ARE NOT GUARANTEED TO BE LEAK PROOF.