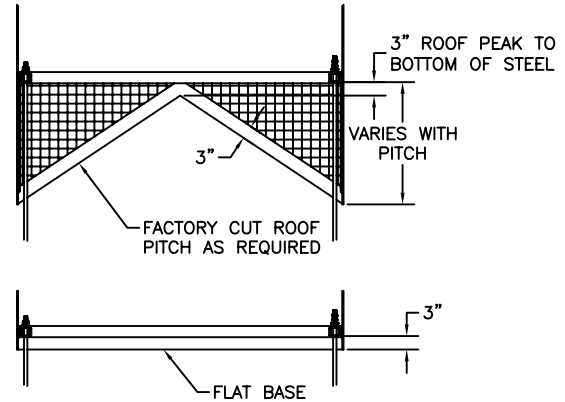
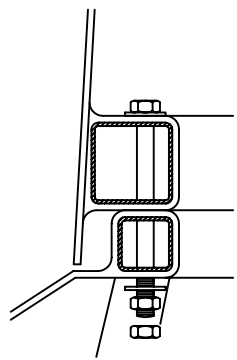


NOTES:

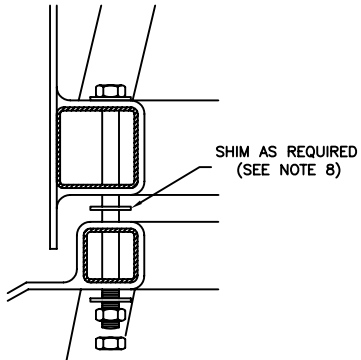
1. THESE DRAWINGS ARE THE PROPERTY OF FIBERGLASS SPECIALTIES INC. AND MAY NOT BE REPRODUCED WITHOUT EXPRESS WRITTEN PERMISSION FROM FIBERGLASS SPECIALTIES, INC.
2. DIMENSIONS AND DETAILS ARE SUBJECT TO CHANGE WITHOUT NOTICE.
3. ALL CUPOLA AND STEEPLE UNITS ARE FABRICATED USING MINIMAL STANDING SEAMS UNLESS OTHERWISE NOTED. SEE SECTION VIEWS FOR APPROXIMATE LOCATION OF SEAMS.
4. ALL CUPOLA AND STEEPLE UNITS ARE DESIGNED TO BE ERECTED ON A COMPLETED ROOFING SYSTEM.
5. ALTHOUGH OUR CUPOLAS AND STEEPLES ARE WATER RESISTANT WE DO NOT GUARANTEE THEM TO BE LEAK PROOF.
6. FIBERGLASS SPECIALTIES INC. RECOMMENDS THAT THE INSTALLER USE A-325 BOLTS WHEN CONNECTING TO THE ROOF STRUCTURE BELOW.
7. ACTUAL ANCHOR BOLT LOCATIONS MAY VARY. THE INSTALLER SHOULD NOT DRILL HOLES IN ROOF UNTIL UNIT IS ON SITE.
8. DUE TO MANUFACTURING TOLERANCES AND VARIATIONS IN SITE CONDITIONS, METAL SHIMS MAY BE REQUIRED BETWEEN ADJACENT COLLARS.



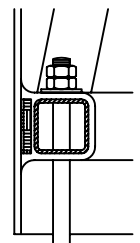
5 BASE DETAILS
S1



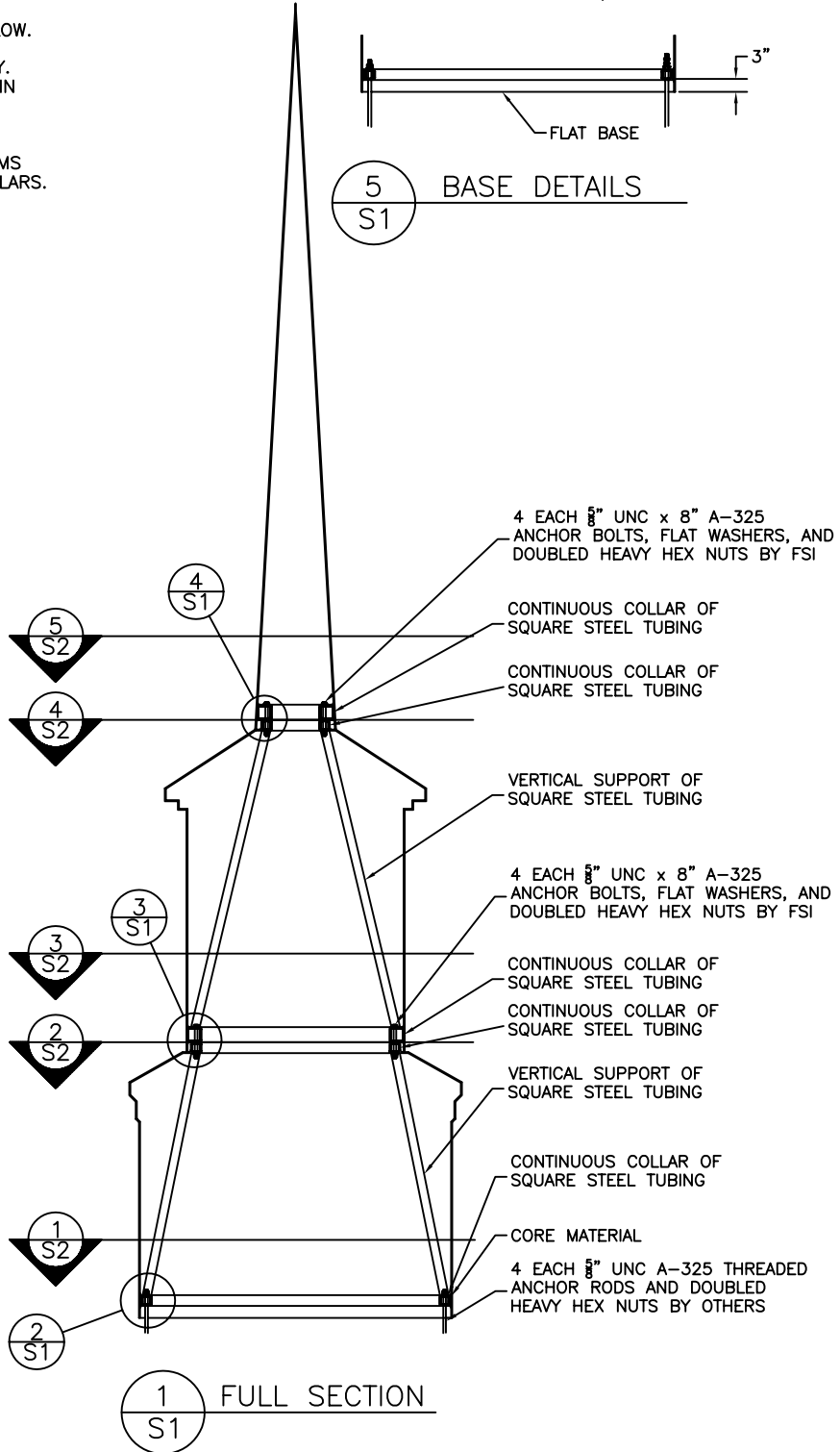
4 BOLTING DETAIL
S1



3 BOLTING DETAIL
S1



2 ANCHOR DETAIL
S1



1 FULL SECTION
S1

P.O. BOX 1340 HENDERSON, TX 75653-1340 903/657-6522 FAX# 903/657-2318	
FIBERGLASS SPECIALTIES INCORPORATED	
Project: STEEPLE UNIT #27 CROSS SECTION SHOWING INTERNAL STRUCTURE	
Date: 04-09-03	Revisions 02-20-06 AGT
Drawing By: RLB	Checked By: ALL-STL
File # ST27C1	Scale: NONE
Sheet # S1C STRUCTURE	