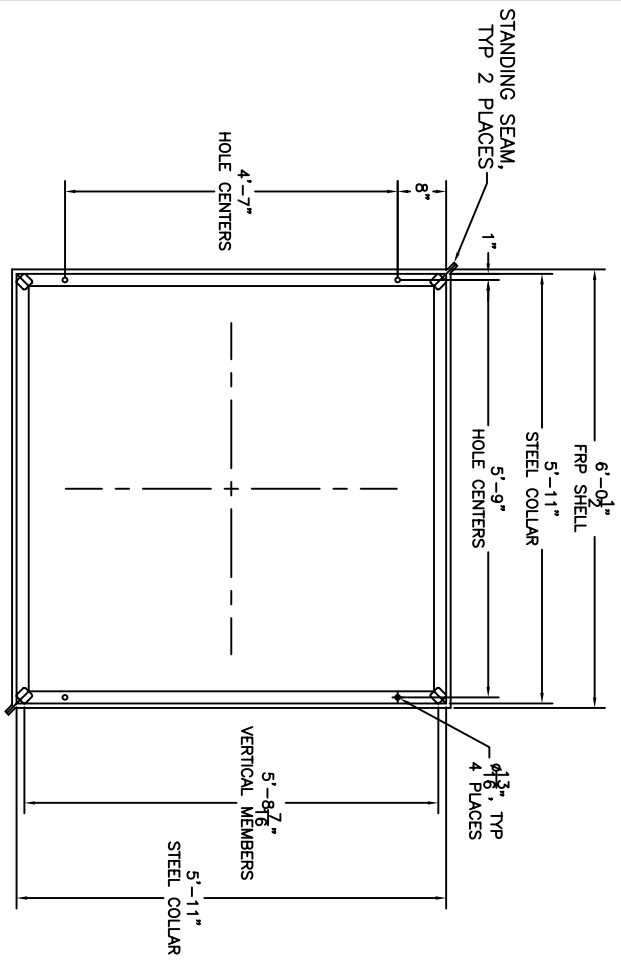
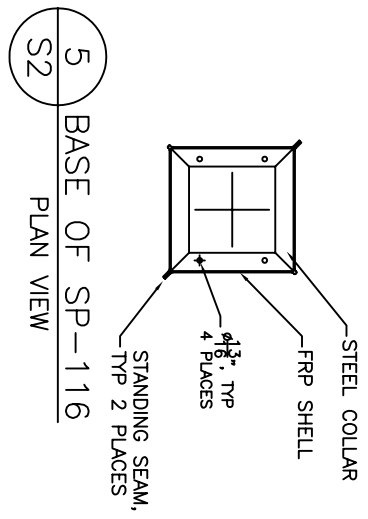


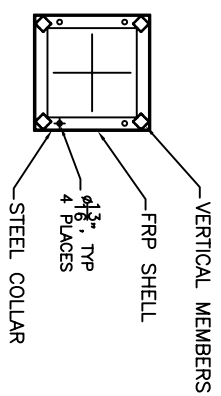
2 TOP OF CU-607
S2



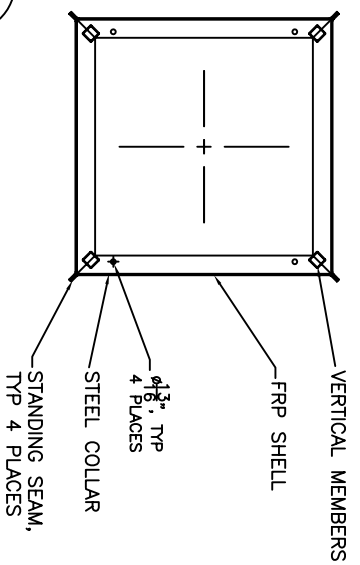
1 BASE OF CU-607
S2 PLAN VIEW



5 BASE OF SP-116
S2 PLAN VIEW



4 TOP OF CU-408
S2



3 BASE OF CU-408
S2 PLAN VIEW

STRUCTURE	S2C	Drawing By: RLB	Date: 04-11-03	Project: STEEPLE UNIT #33 SECTION DETAILS		P O BOX 1340 HENDERSON, TX 75653-1340 903/657-6522 FAX# 903/657-2318
	50607					
DWG #	ALL-STL	DWG #	ST33C2	Scale:	3/8" = 1'	