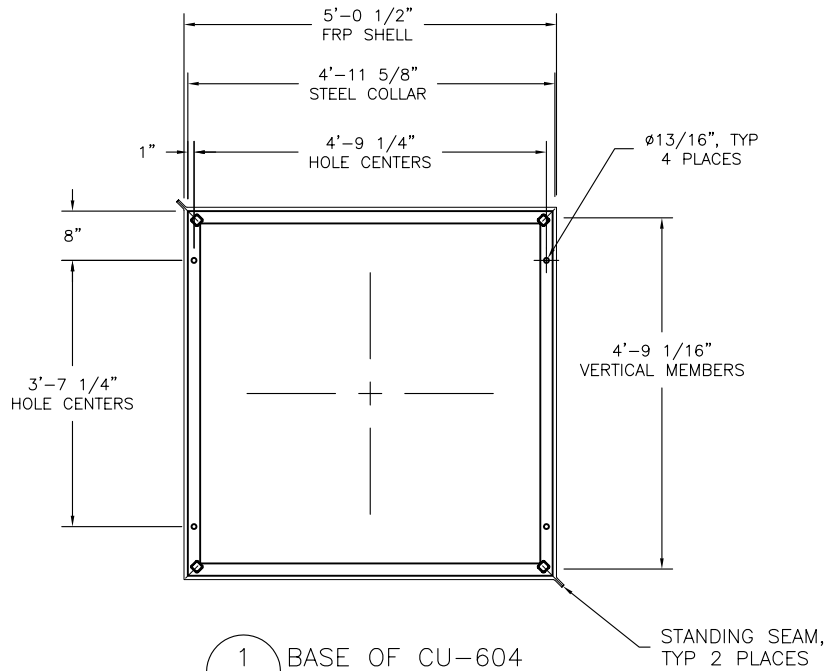
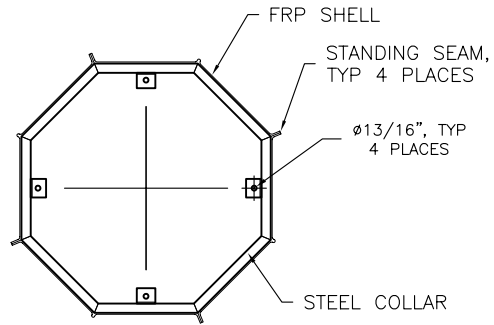


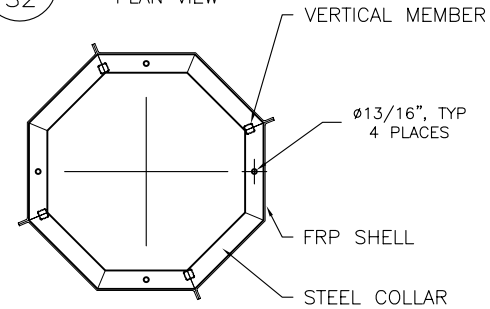
2 TOP OF CU-604  
S2



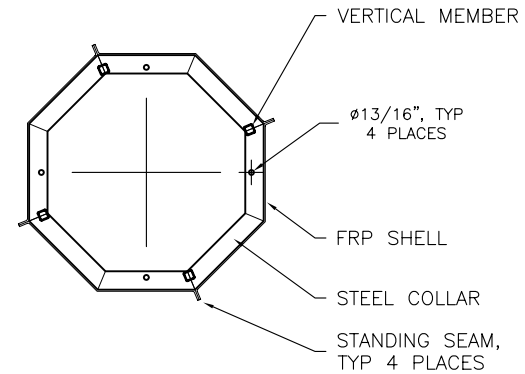
1 BASE OF CU-604  
S2 PLAN VIEW



5 BASE OF SP-619  
S2 PLAN VIEW



4 TOP OF CU-603  
S2



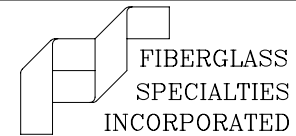
3 BASE OF CU-603  
S2 PLAN VIEW

STRUCTURE

S2C

Sheet#	Drawing By: RLB	Date: 10-17-00
	Checked By:	Revisions 03-06-07 AJ
	File # ALL-STL\	
	DWG # SU4C2	Scale: 3/8"=1'

Project: STEEPLE UNIT #4  
SECTION DETAILS



P.O. BOX 1340  
HENDERSON, TX 75653-1340  
903/657-6522  
FAX# 903/657-2318