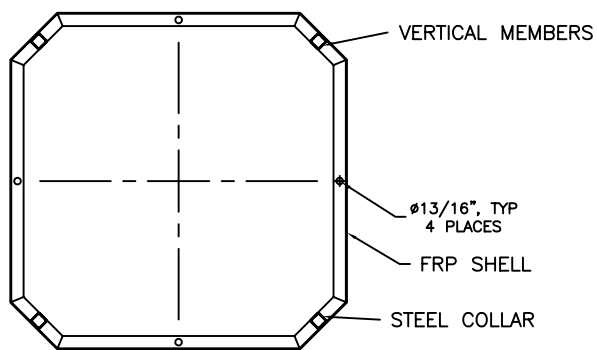
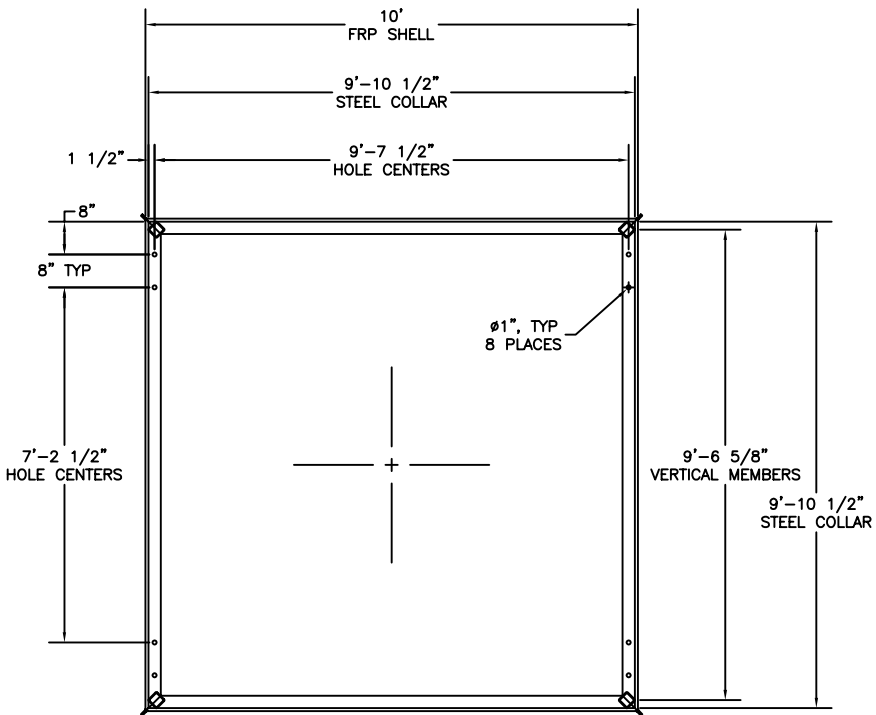


3 BASE OF CU-706  
S2

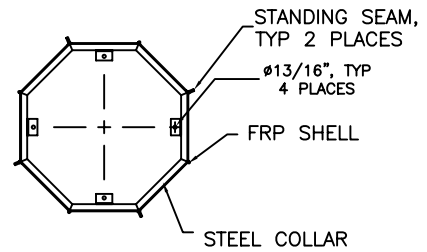


2 TOP OF CU-705  
S2

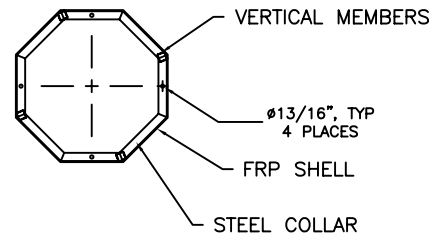


1 BASE OF CU-705  
S2 PLAN VIEW

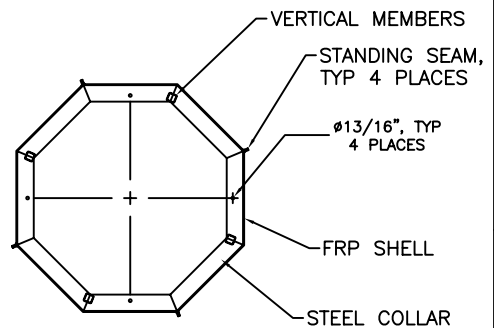
STANDING SEAM, TYP 4 PLACES



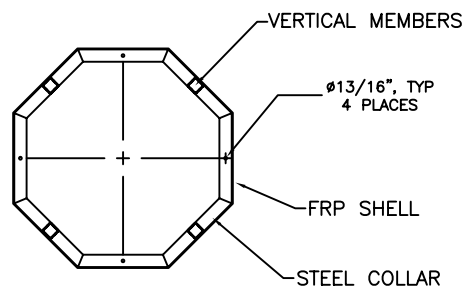
7 BASE OF SP-619  
S2



6 TOP OF CU-601  
S2



5 BASE OF CU-601  
S2



4 TOP OF CU-706  
S2

P.O. BOX 1340  
HENDERSON, TX 75653-1340  
903/657-6522  
FAX# 903/657-2318

FIBERGLASS  
SPECIALTIES  
INCORPORATED

STEEPLE UNIT #42  
SECTION DETAILS

Project:

Date: 03-01-06

Revisions

Scale: N.T.S.

Drawing By: AGT

Checked By: ALL-STL

File # S42C2

DWG # S42C2

Sheet #

S2C

STRUCTURE