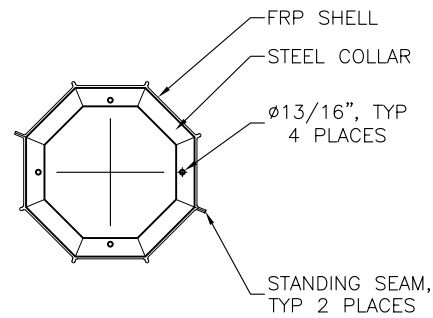
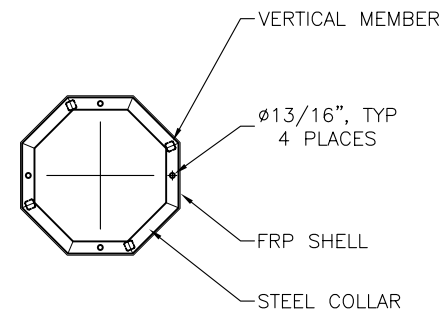


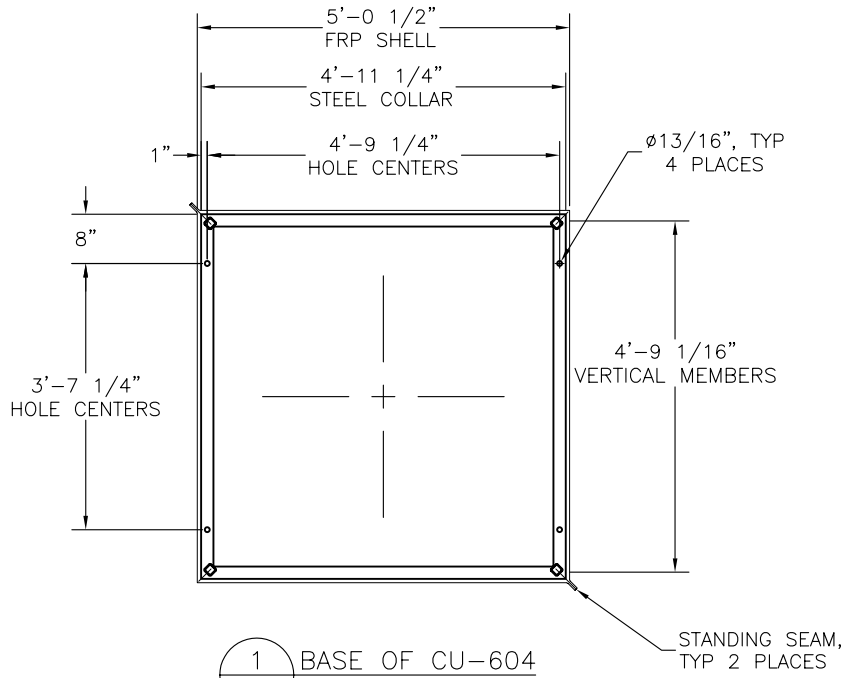
2 TOP OF CU-604
S2



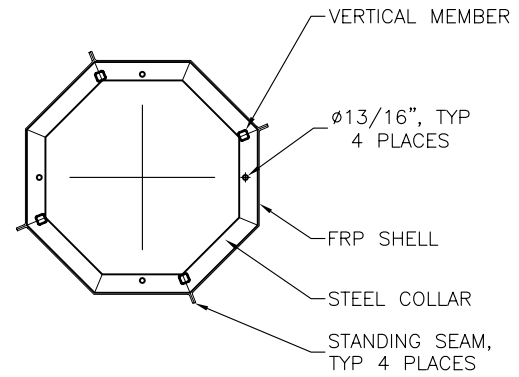
5 BASE OF SP-616
S2 PLAN VIEW



4 TOP OF CU-602
S2



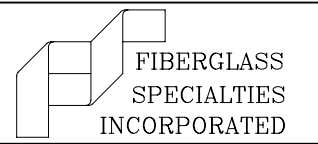
1 BASE OF CU-604
S2 PLAN VIEW



3 BASE OF CU-602
S2 PLAN VIEW

STRUCTURE S2C Sheet#	Drawing By: RLB	Date: 10-17-00
	Checked By:	Revisions 03-06-07 AJ
	File # ALL-STL\	
	DWG # SU5C2	Scale: 3/8"=1'

Project: STEEPLE UNIT #5
SECTION DETAILS



P.O. BOX 1340
HENDERSON, TX 75653-1340
903/657-6522
FAX# 903/657-2318