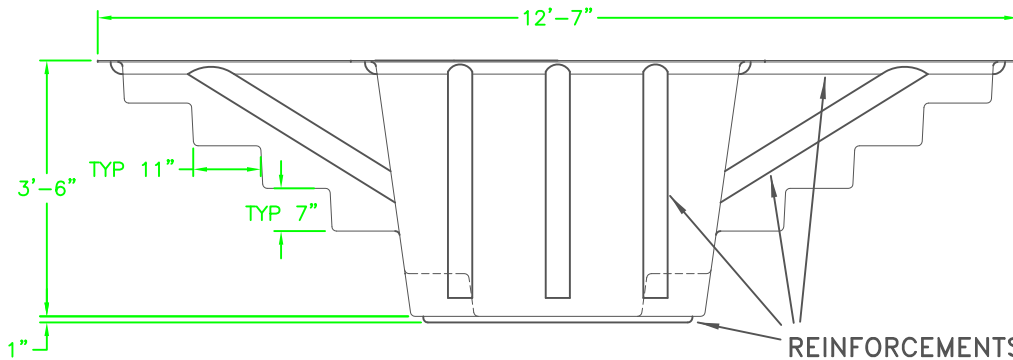


PLAN VIEW

Capacity: 550 gal.



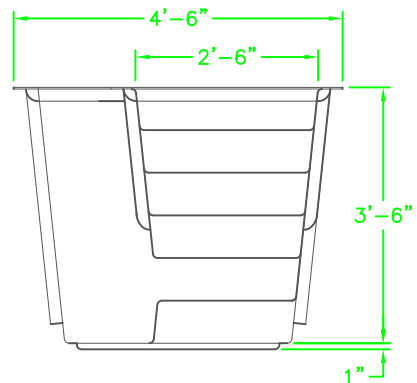
SIDE VIEW

REINFORCEMENTS

NOTE: REINFORCEMENT LOCATION WILL VARY AT BACK SIDE FOR DRAIN LOCATIONS

NOTE:

Steps shall conform to nationally accepted model building code requirements with regard to riser height and tread width. Step tread surfaces shall have a raised disk slip-resistant surface. All corners shall be gently rounded for safety.



END VIEW

Installation Notes:

Plumbing holes (drain, heater, etc.) to be located and cut in field by contractor or plumber. Drain should be located in any of the four corners of the tank floor.

SHEET NO. 1 OF 1

DATE: 10-30-02	SHEET FILE NAME: NEW BAPT\T2
DRAWN BY: JC	REVISION: 0
CHECKED BY:	APPROVED BY:

BAPTISTRY T2S



P.O. BOX 1340
HENDERSON, TEXAS
75653-1340
903/657-6522
FAX# 903/657-2318