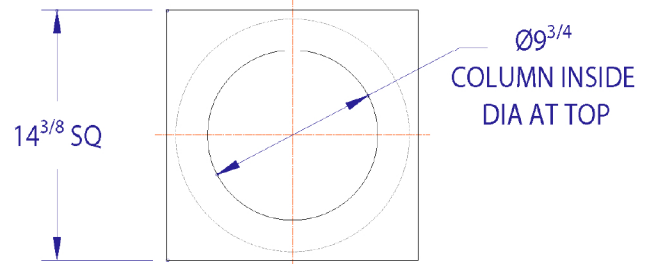
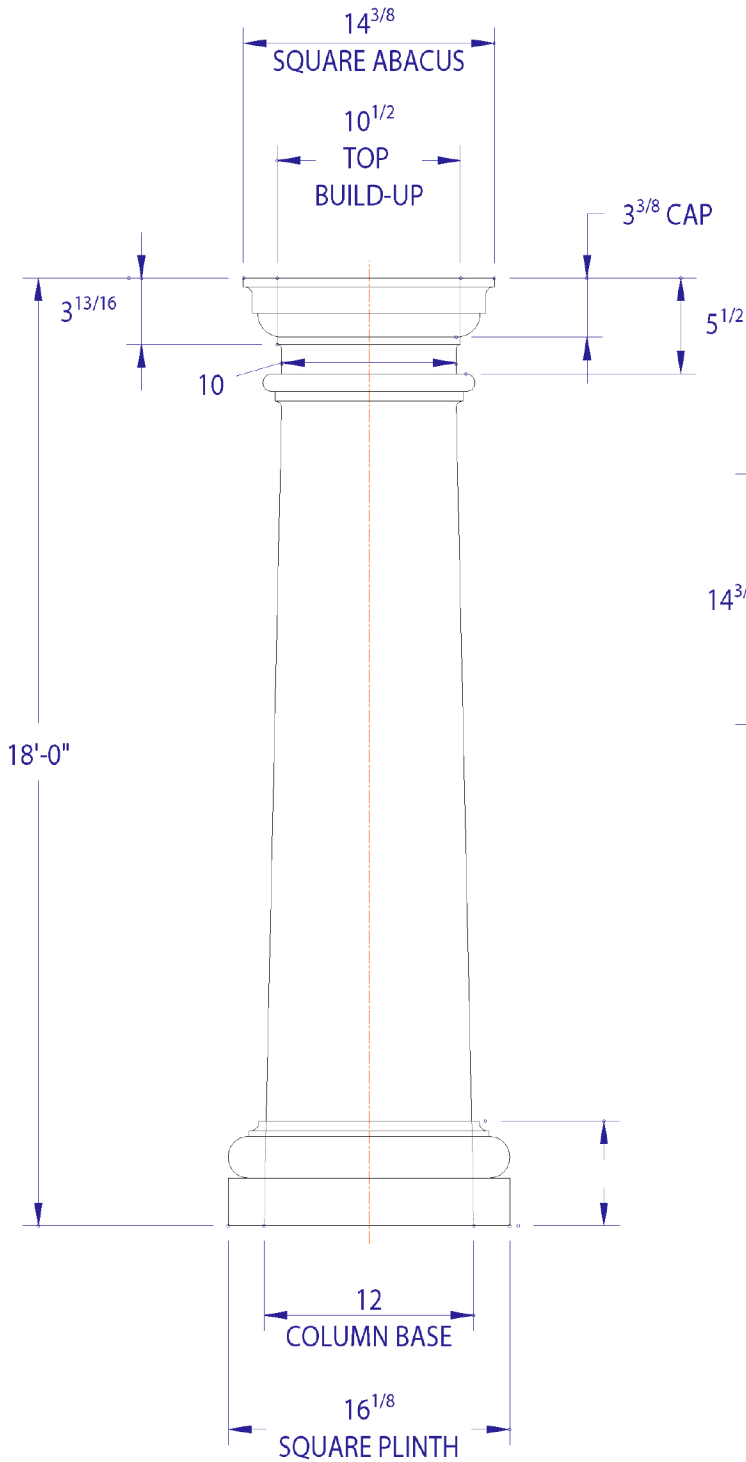


FIBERGLASS COLUMN DETAIL

12" DIA x 18'-0"

TUSCAN CAP & BASE




PLAN VIEW

12" x 18' COLUMN SPECIFICATIONS:

- WALL THICKNESS: .125 (1/8")
- WEIGHT: 75 LBS (TRIMMED)
- LOAD BEARING CAPACITY: 18,000 LBS (AXIALLY)
- BASE DIAMETER: 12 INCHES (NOM)
- NECK DIAMETER: 10 INCHES
- TOP (BUILD-UP) DIA: 10 1/2 INCHES

12" DIAMETER COLUMN - TUSCAN

DATE	UNLESS OTHERWISE SPECIFIED DIMENSIONS ARE IN INCHES			CONTRACT NUMBER		 FIBERGLASS SPECIALTIES INCORPORATED P.O. BOX 1340 HENDERSON, TEXAS 75653-1340 903/657-8522 FAX# 903/657-2318
	ORIGINAL X 1:1 XX 2:1 XXX 3:1	TOLERANCES ANGULAR ±.1° FINITION ±.1/8"	FRESH	ORIGINATOR T. HARTLEY	DATE 10/16/03	
DESCRIPTION	DO NOT SCALE DRAWINGS			PROJECT ENGINEER		REV
	TREATMENT N/A	FRESH			MANUFACTURING ENGINEER	1
	SIMILAR TO N/A	ACT WT N/A	CALC WT N/A	PROGRAM/MANAGEMENT		SCALE NONE
SCALE NONE RELEASE DATE SHEET 1 OF 1						